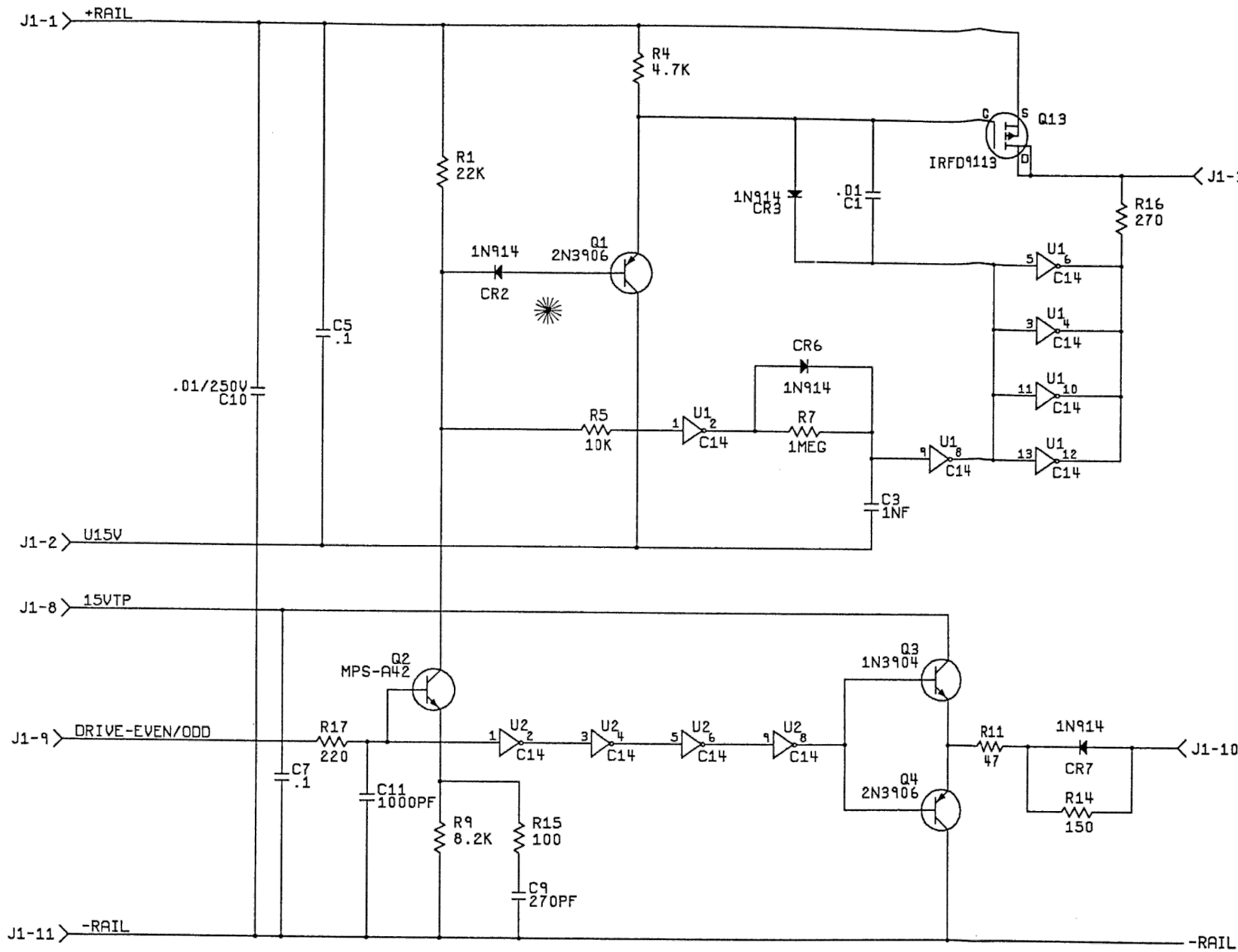
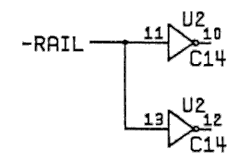


SYM	DESCRIPTION	DATE	INCORP	CHECK	APPROVED
A	PRODUCTION REL.	8-16 1988	LDF	EM	EM



\* DO NOT MEASURE THIS POINT DURING OPERATION.

J1-5 >  
J1-7 >  
J1-6 >



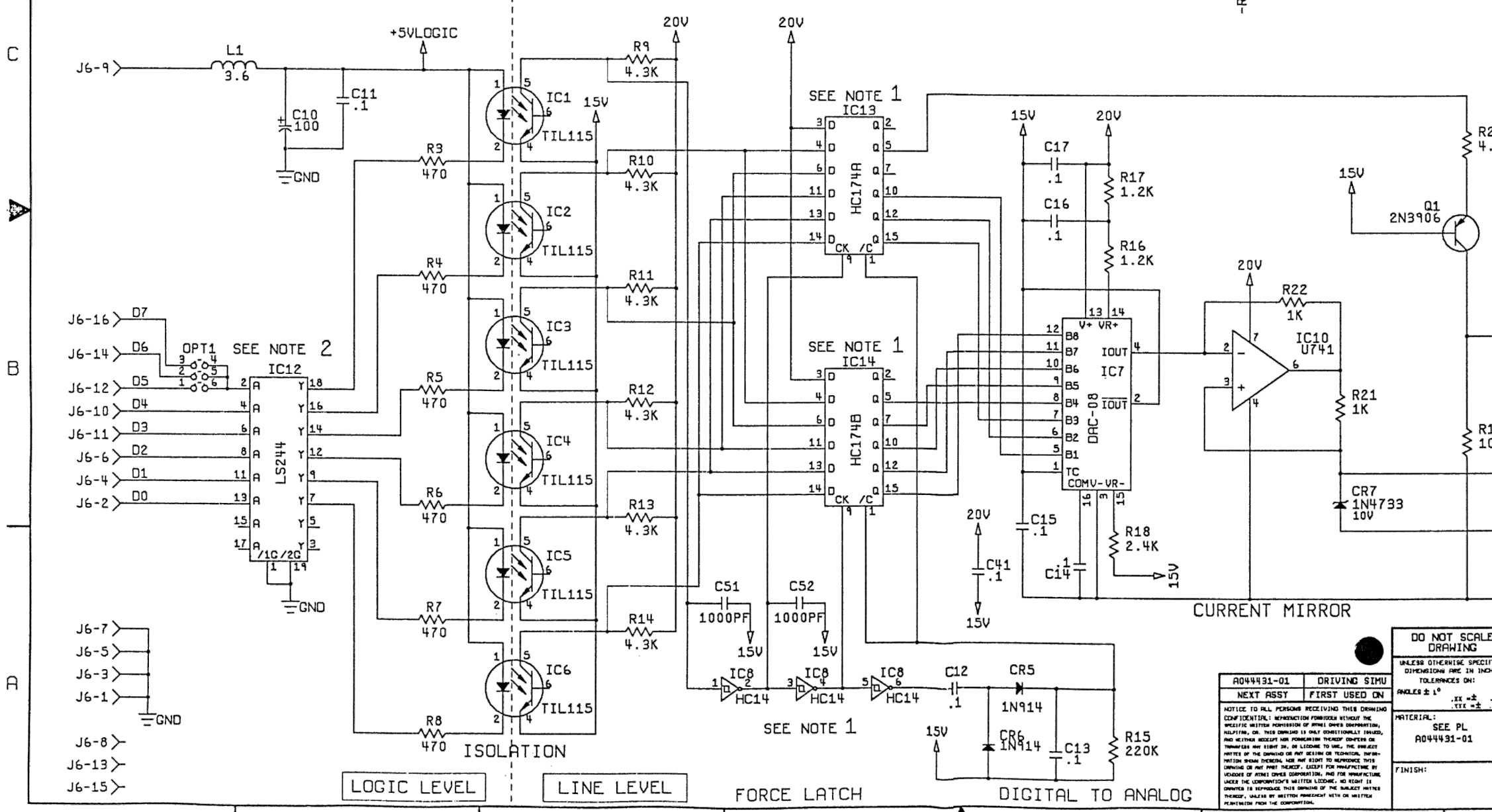
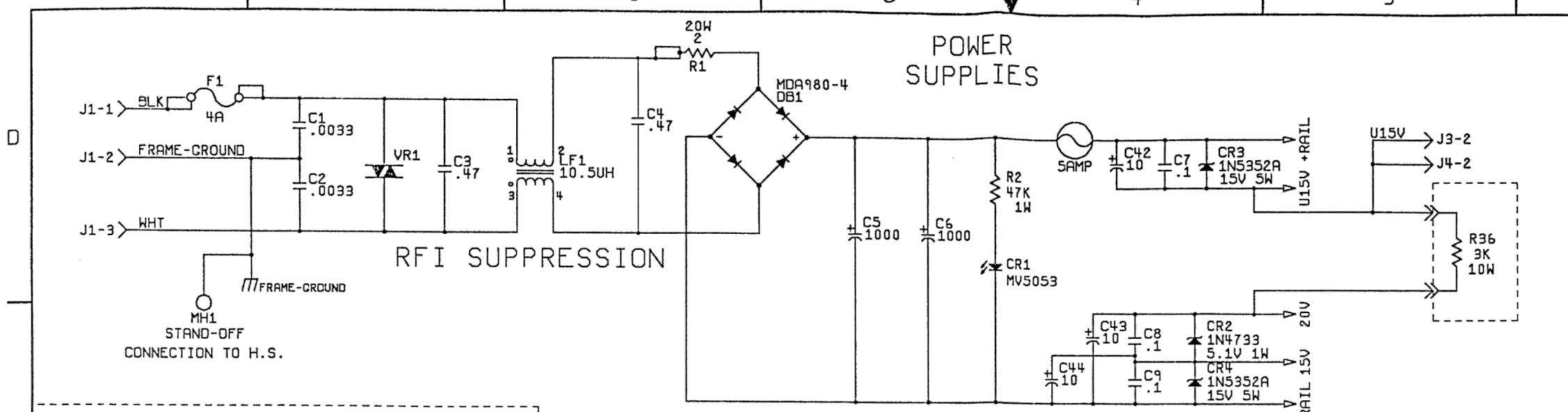
AD44250	DRIVE SIMU
NEXT ASSY	FIRST USED ON
NOTICE TO ALL PERSONS RECEIVING THIS DRAWING	
CONFIDENTIAL: INFORMATION FURNISHED HEREIN IS THE PROPERTY OF ATARI GAMES CORPORATION, MILPITAS, CA. THIS DRAWING IS UNCLASSIFIED, UNLESS OTHERWISE SPECIFIED. DIMENSIONS ARE IN INCHES. TOLERANCES ON: .100 ± .010, .010 ± .001, .001 ± .0005.	
MATERIAL: SEE PL A044250-01	
FINISH:	

DO NOT SCALE DRAWING		DATE
CHECKED BY	STAFF	8-16-88
ENGR, ELEC	DATE	
PROJ ENGR	DATE	
DATE		
DATE		
DATE		

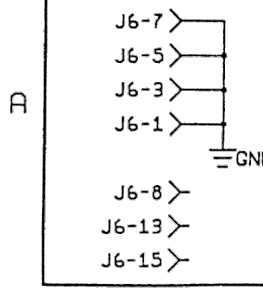
ATARI		ATARI GAMES CORP.
675 STOWPORE DRIVE		MILPITAS, CA. 95035
TITLE	SCHEMATIC, MOTOR AMP DRIVER PCB	
SIZE	DRAWING NO.	REV
D	044250-01	A
SCALE	NONE	SHEET 1 OF 1



REVISIONS				
SYM	DESCRIPTION	DATE	INCDP	CHECK APPR
A	PRODUCTION REL	8-16-88	LBF	AJ RM
B	ECN 13216	11-21-1988	LBF	AJ RM
C	ECN 13243	1-12-1988	LBF	AJ RM



- NOTES:
- CONNECT 20V TO VCC.  
CONNECT 15V TO GND.
  - CONNECT +5VLOGIC TO VCC.  
CONNECT GND TO GND.



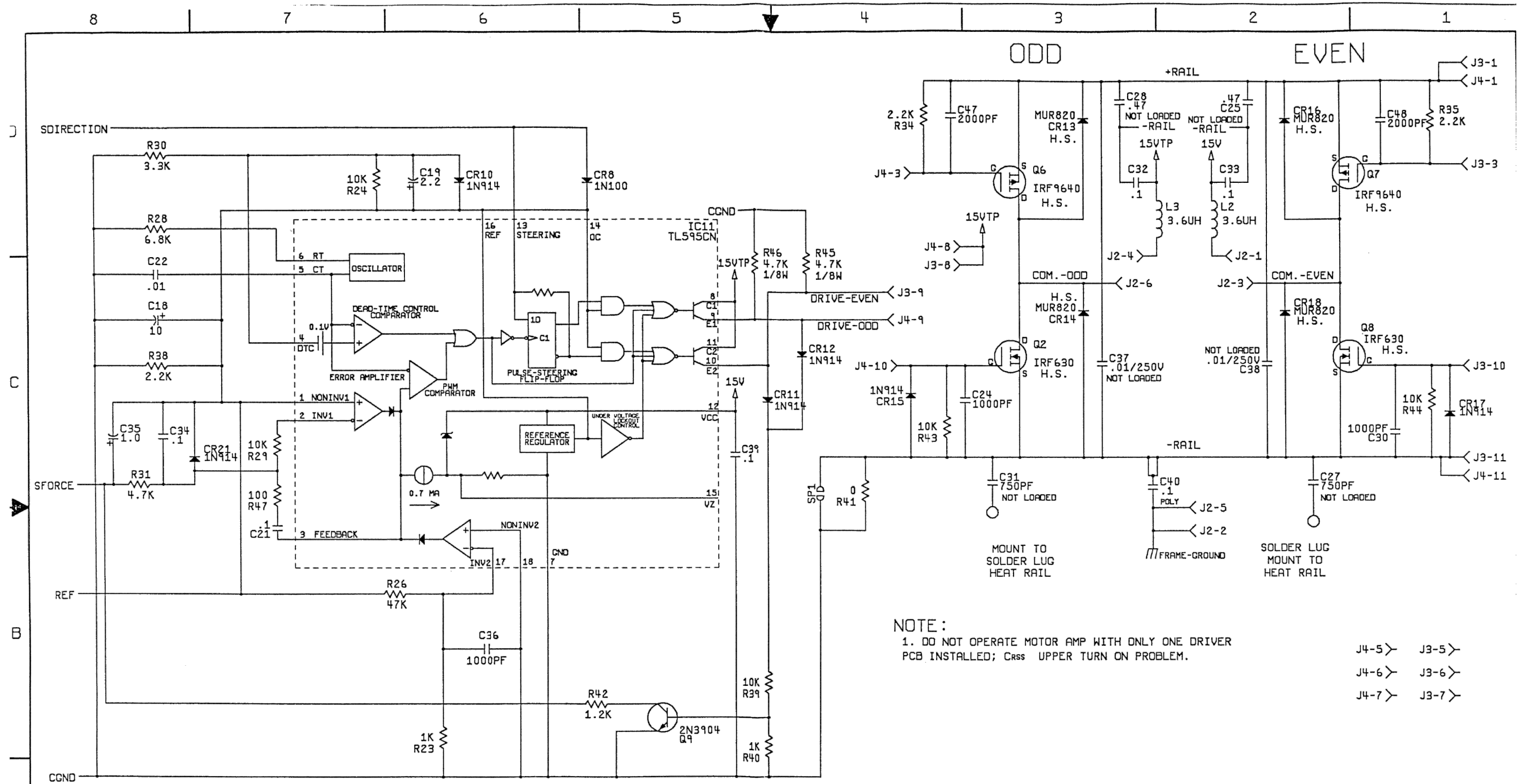
A044431-01		DRIVING SIMU	DO NOT SCALE DRAWING		DATE	8-16-88
NEXT ASSY		FIRST USED ON	UNLESS OTHERWISE SPECIFIED DIMENSIONS ARE IN INCHES TOLERANCES ON:		CHECKED BY	A. JACKSON
			ANGLES ± 1°		DATE	8-17-88
			.XX ± .01		PROJ ENGR	R. MONCRIEF
			.1XX ± .003		DATE	8-18-88
			MATERIAL: SEE PL A044431-01		PFC ENGR	R. WRIGHTMOUR
			FINISH:		DATE	8-18-88

ATARI ATARI GAMES CORP. 673 STANFORD DRIVE MILPITAS, CA. 95035

TITLE: SCHEMATIC, MOTOR AMP PCB

SIZE: D DRAWING NO. 044253-01

SCALE: NONE SHEET 1 OF 2



NOTE:  
 1. DO NOT OPERATE MOTOR AMP WITH ONLY ONE DRIVER PCB INSTALLED; CRSS UPPER TURN ON PROBLEM.

J4-5 > J3-5 >  
 J4-6 > J3-6 >  
 J4-7 > J3-7 >

POWER SWITCHES

PULSE WIDTH MODULATION | OUTPUT SENSE

ATARI		ATARI GAMES CORP. 675 STORMORE DRIVE MILPITAS, CA. 95035	
TITLE			
SCHEMATIC, MOTOR AMP PCB			
SIZE	DRAWING NO.	REV	
0	044253-01	C	