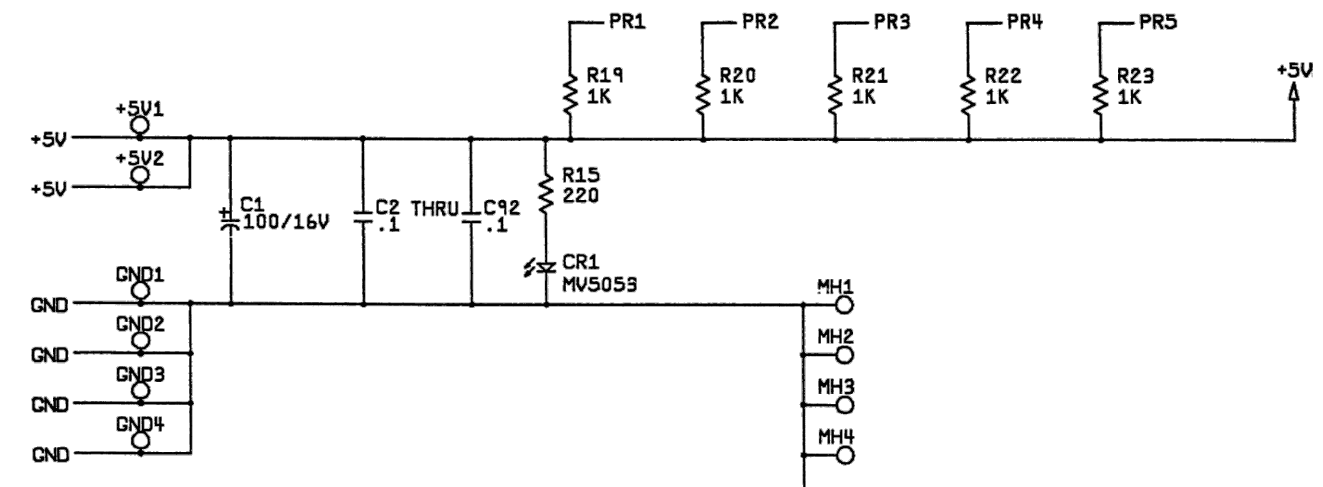


REVISIONS					
REV	DESCRIPTION	DATE	INCRP	CHECK	APPROVED
A	PRODUCTION RELEASE	7-18 1988	DRP		R. P. [Signature]

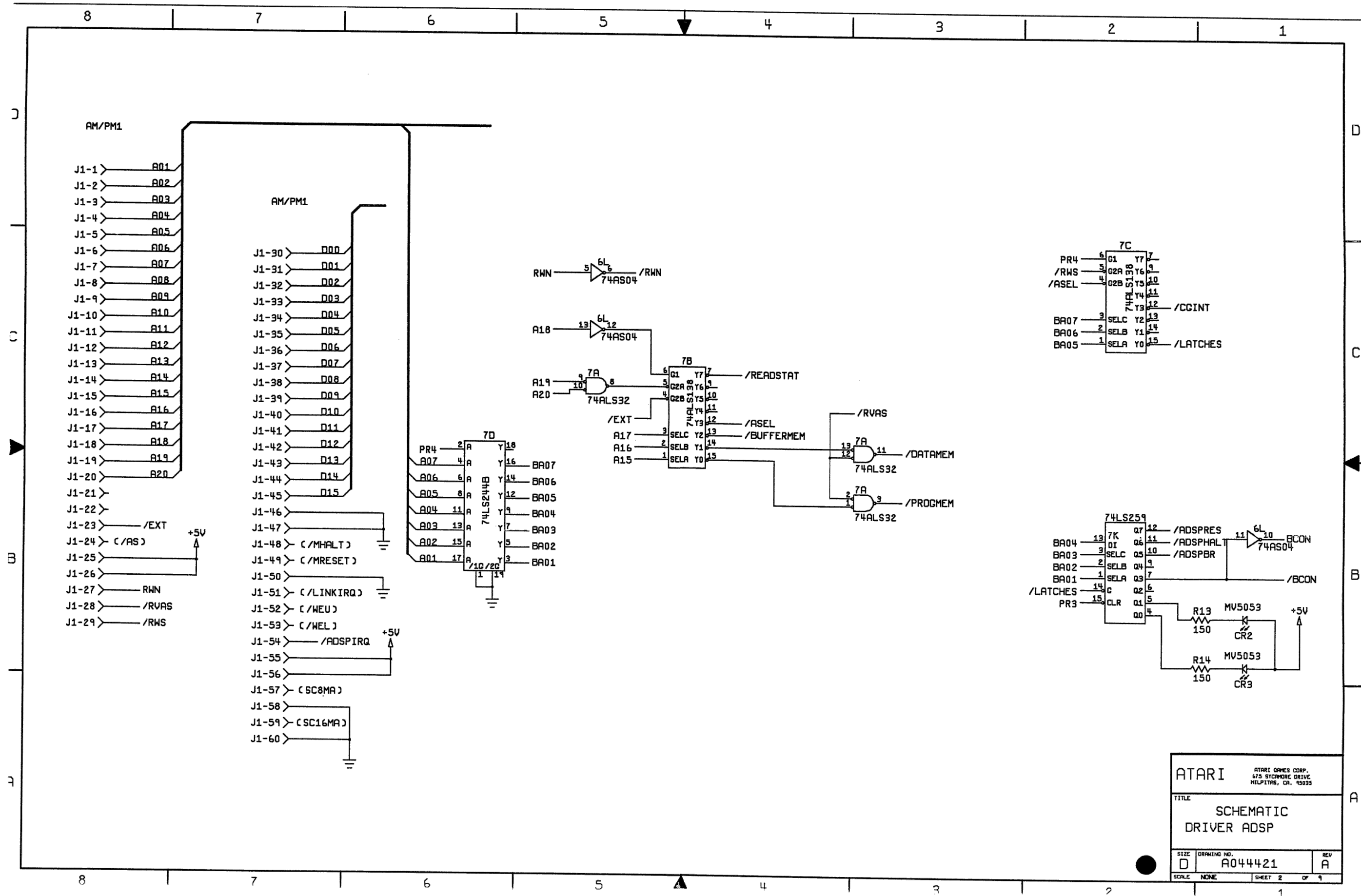


IC TYPE	GND	VCC
74LS00	7	14
74LS08	7	14
74LS175	8	16
74LS244	10	20
74LS245	10	20
74LS253	8	16
74LS259	8	16
74LS373	10	20
74LS374	10	20
74ALS20	7	14
74ALS32	7	14
74ALS74	7	14
74ALS138	8	16
74ALS169	8	16
74ALS569	10	20
74AS00	7	14
74AS04	7	14
74AS08	7	14
74AS32	7	14
74AS74	7	14
74AS138	8	16
4K X 4 SRAM	10	20
8K X 8 SRAM	14	28
27512	14	28
ADSP2100	18 26 36 39 61 68 79 90 100	15 40 64 89

ADSP - 2100 PIN LOCATIONS													
	1	2	3	4	5	6	7	8	9	10	11	12	13
N	25 DMA0	27 RESET	29 HALT	31 TRAP	33 PMS	36 GND	39 GND	40 VDD	43 BG	45 PMD23	47 PMD21	48 PMD20	50 PMD18
M	23 DMA2	26 GND	28 DMACK	30 PMDA	32 DMS	35 DMWR	37 DMRD	41 BR	44 PMRD	46 PMD22	49 PMD19	51 PMD17	52 PMD16
L	22 DMA3	24 DMA1				34 PMWR	38 CLK1	42 CLK0				53 PMD15	54 PMD14
K	20 DMA5	21 DMA4										55 PMD13	56 PMD12
J	18 GND	19 DMA6										57 PMD11	58 PMD10
H	15 VDD	16 DMA8	17 DMA7								59 PMD9	60 PMD8	61 GND
G	14 DMA9	12 DMA11	13 DMA10								63 PMD6	62 PMD7	64 VDD
F	11 DMA12	10 DMA13	9 DMA15								67 PMD3	66 PMD4	65 PMD5
E	8 DMD14	7 DMD13									69 PMD2	68 GND	
D	6 DMD12	5 DMD11									71 PMD0	70 PMD1	
C	4 DMD10	3 DMD9	INDEX PIN			92 IRQ0	88 IRQ2	84 PMA11			74 PMA2	72 PMA0	
B	2 DMD8	1 DMD7	99 DMD6	96 DMD3	94 DMD1	91 IRQ1	87 IRQ3	85 PMA12	82 PMA9	80 PMA7	78 PMA6	76 PMA4	73 PMA1
A	100 GND	98 DMD5	97 DMD4	95 DMD2	93 DMD0	90 GND	89 VDD	86 PMA13	83 PMA10	81 PMA8	79 GND	77 PMA5	75 PMA3

BOTTOM VIEW
(PINS UP)

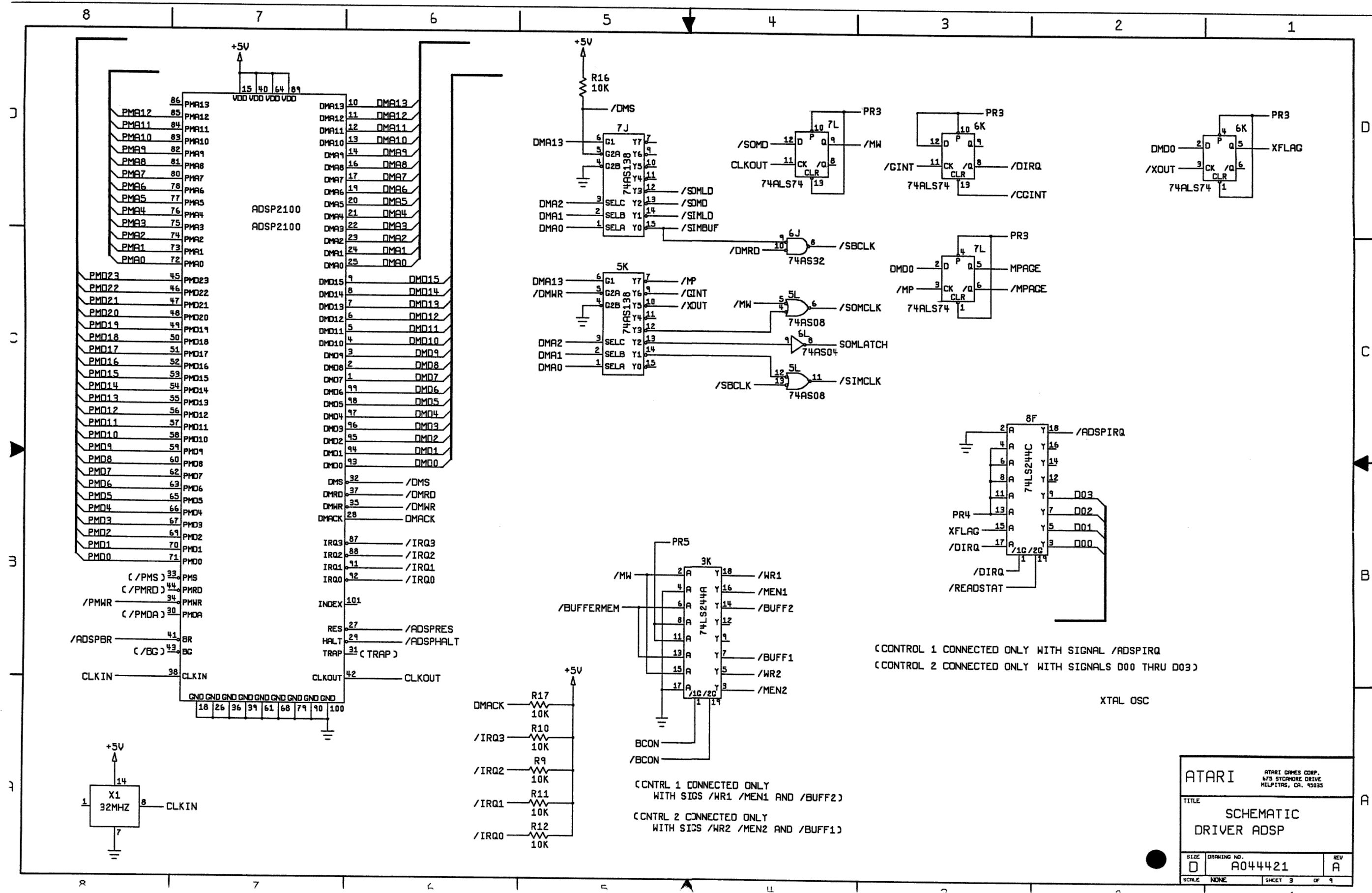
A044421-21 DRIVING SIMULATOR NEXT ASST FIRST USED ON	DO NOT SCALE DRAWING UNLESS OTHERWISE SPECIFIED DIMENSIONS ARE IN INCHES TOLERANCES ON: DIMENSIONS ± .10 .25 ± .01 .005 ± .005	DRAWN BY G POPKIN DATE 7-18-88	ATARI ATARI GAMES CORP. 675 SYCAMORE DRIVE MILPITAS, CA. 95035
		CHECKED BY [Signature] DATE 8-2-88	
NOTICE TO ALL PERSONS RECEIVING THIS DRAWING CONFIDENTIAL: INFORMATION FURNISHED HEREIN IS THE SPECIFIC PROPERTY OF ATARI GAMES CORPORATION, MILPITAS, CA. THIS DRAWING IS NOT TO BE REPRODUCED, COPIED, OR IN ANY MANNER DISCLOSED TO ANY OTHER PERSON WITHOUT THE WRITTEN PERMISSION OF ATARI GAMES CORPORATION. IF YOU ARE A CONTRACTOR OR SUBCONTRACTOR OF ATARI GAMES CORPORATION, YOU ARE NOT TO REPRODUCE, COPY, OR IN ANY MANNER DISCLOSE THIS DRAWING TO ANY OTHER PERSON WITHOUT THE WRITTEN PERMISSION OF ATARI GAMES CORPORATION. IF YOU ARE A CONTRACTOR OR SUBCONTRACTOR OF ATARI GAMES CORPORATION, YOU ARE NOT TO REPRODUCE, COPY, OR IN ANY MANNER DISCLOSE THIS DRAWING TO ANY OTHER PERSON WITHOUT THE WRITTEN PERMISSION OF ATARI GAMES CORPORATION.	MATERIAL: SEE PL A044421-01 A044421-21	ENGR. ELECT DATE 8-2-88	TITLE SCHEMATIC DRIVER ADSP
		FINISH:	
SCALE NONE		DRAWING NO. A044421	REV A



ATARI
 ATARI GAMES CORP.
 675 STANFORD DRIVE
 MENLO PARK, CA. 94035

TITLE
 SCHEMATIC
 DRIVER ADSP

SIZE D DRAWING NO. A044421 REV A
 SCALE NONE SHEET 2 OF 9

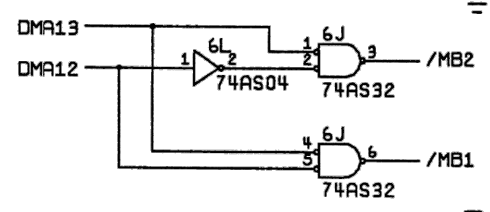
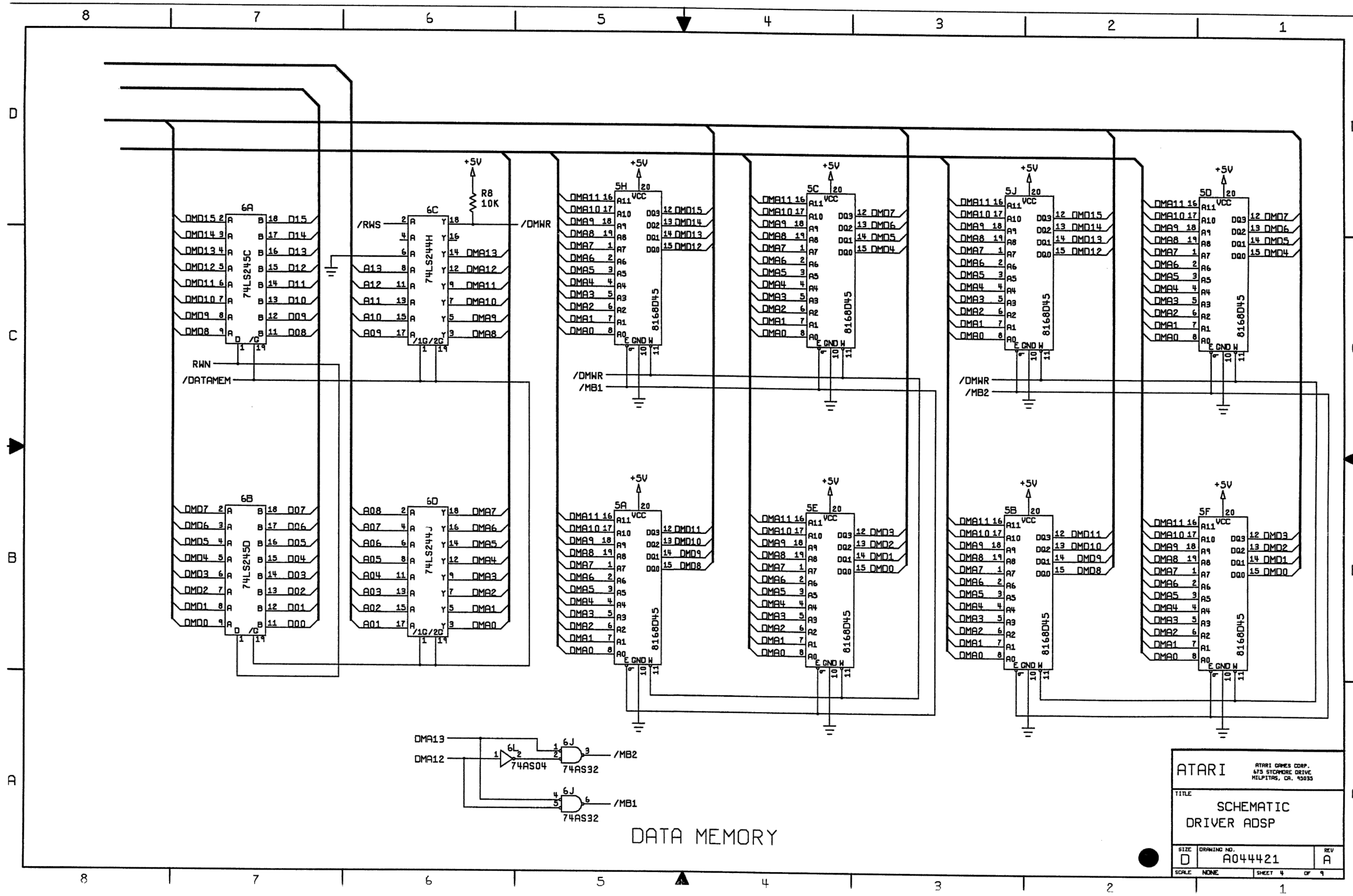


(CONTROL 1 CONNECTED ONLY WITH SIGNAL /ADSPIRQ
 (CONTROL 2 CONNECTED ONLY WITH SIGNALS D00 THRU D03)

XTAL OSC

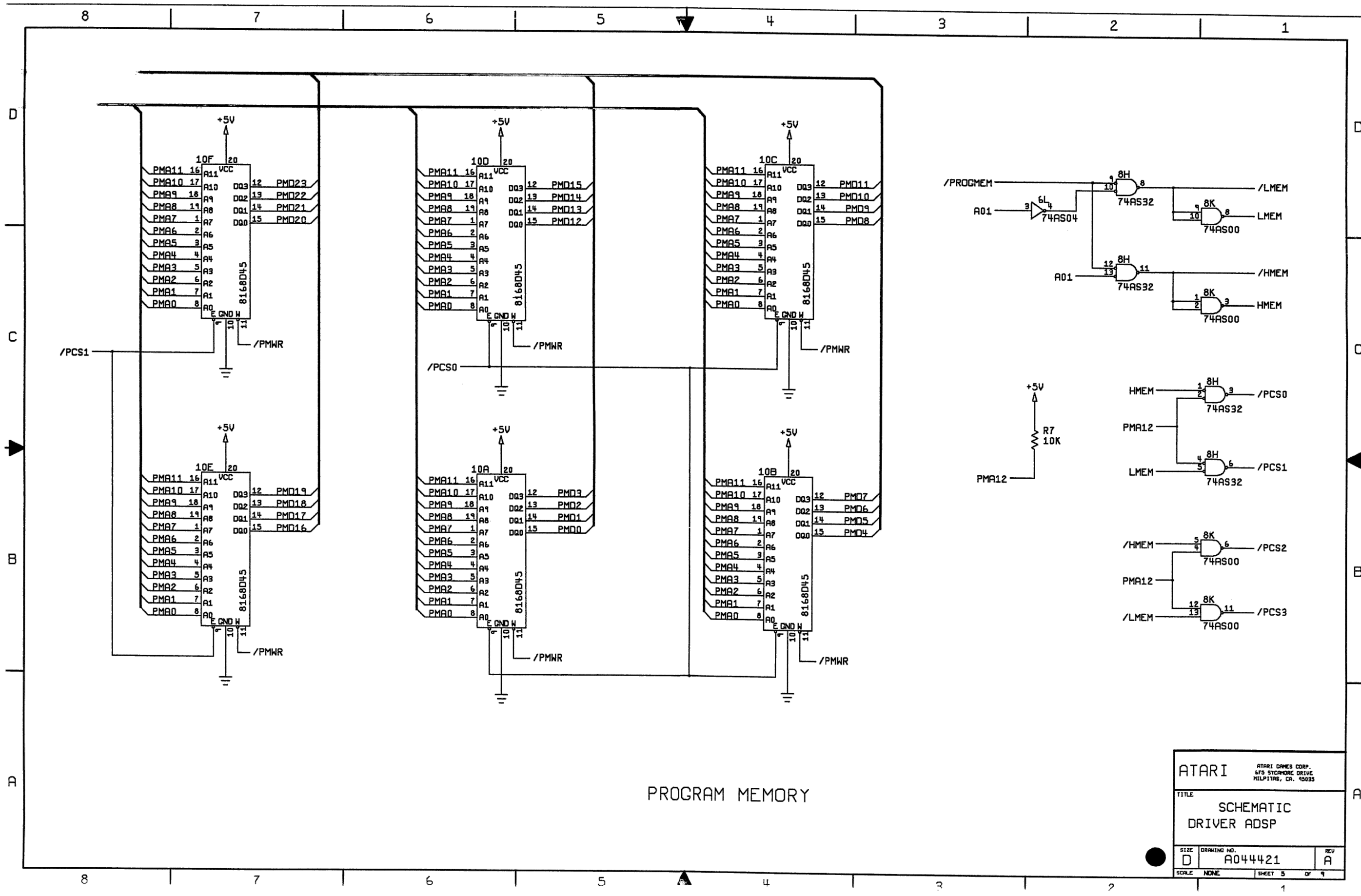
(CNTRL 1 CONNECTED ONLY
 WITH SIGS /WR1 /MEN1 AND /BUFF2)
 (CNTRL 2 CONNECTED ONLY
 WITH SIGS /WR2 /MEN2 AND /BUFF1)

ATARI		ATARI GAMES CORP. 675 STONEMORE DRIVE MILPITAS, CA. 95035	
TITLE			
SCHEMATIC DRIVER ADSP			
SIZE	DRAWING NO.	REV	
D	A044421	A	
SCALE	NONE	SHEET	3 OF 9



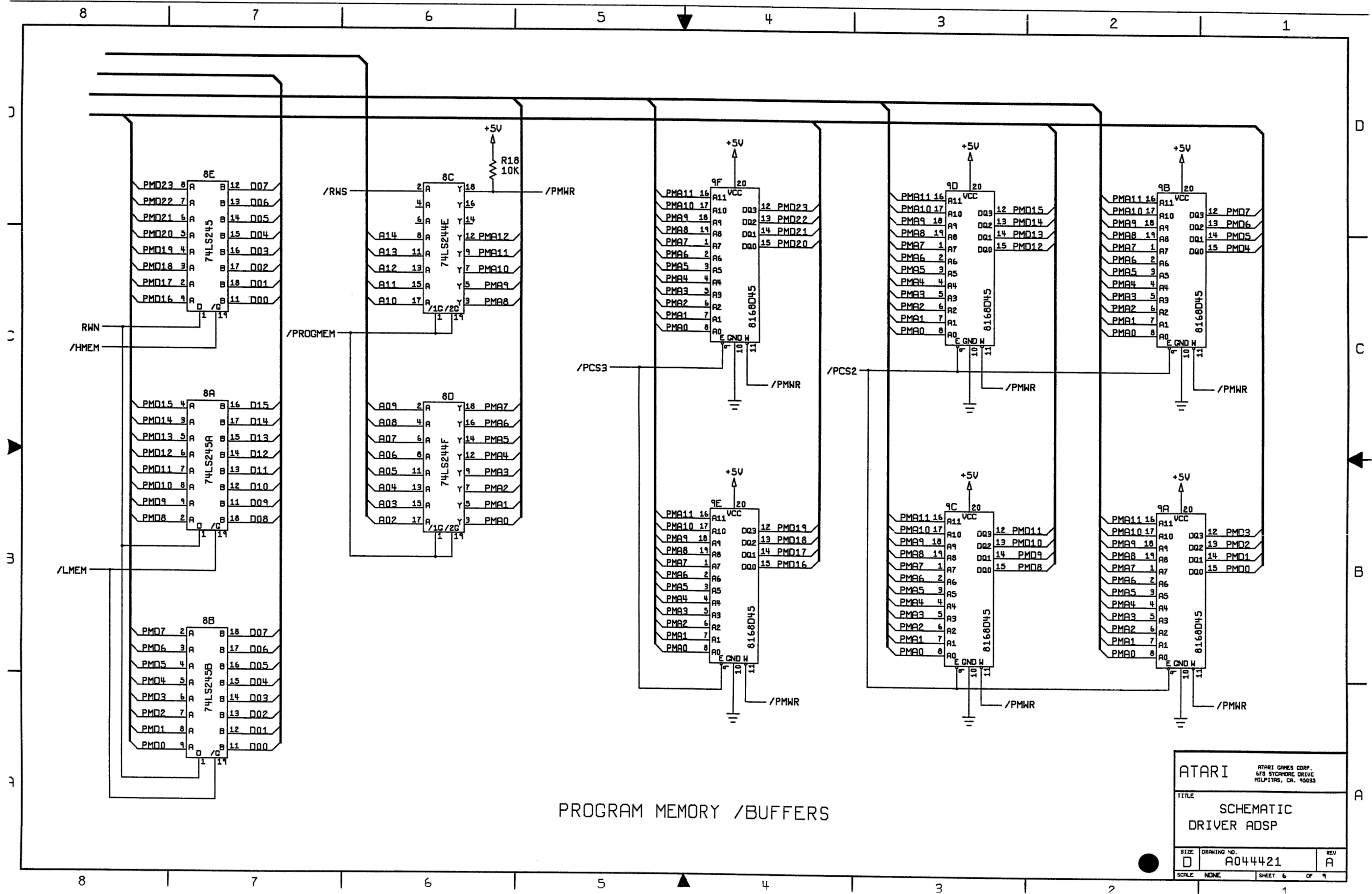
DATA MEMORY

ATARI		
ATARI GAMES CORP. 675 SYCAMORE DRIVE MILPITAS, CA. 95035		
TITLE SCHEMATIC DRIVER ADSP		
SIZE D	DRAWING NO. A044421	REV A
SCALE NONE	SHEET 4 OF 9	



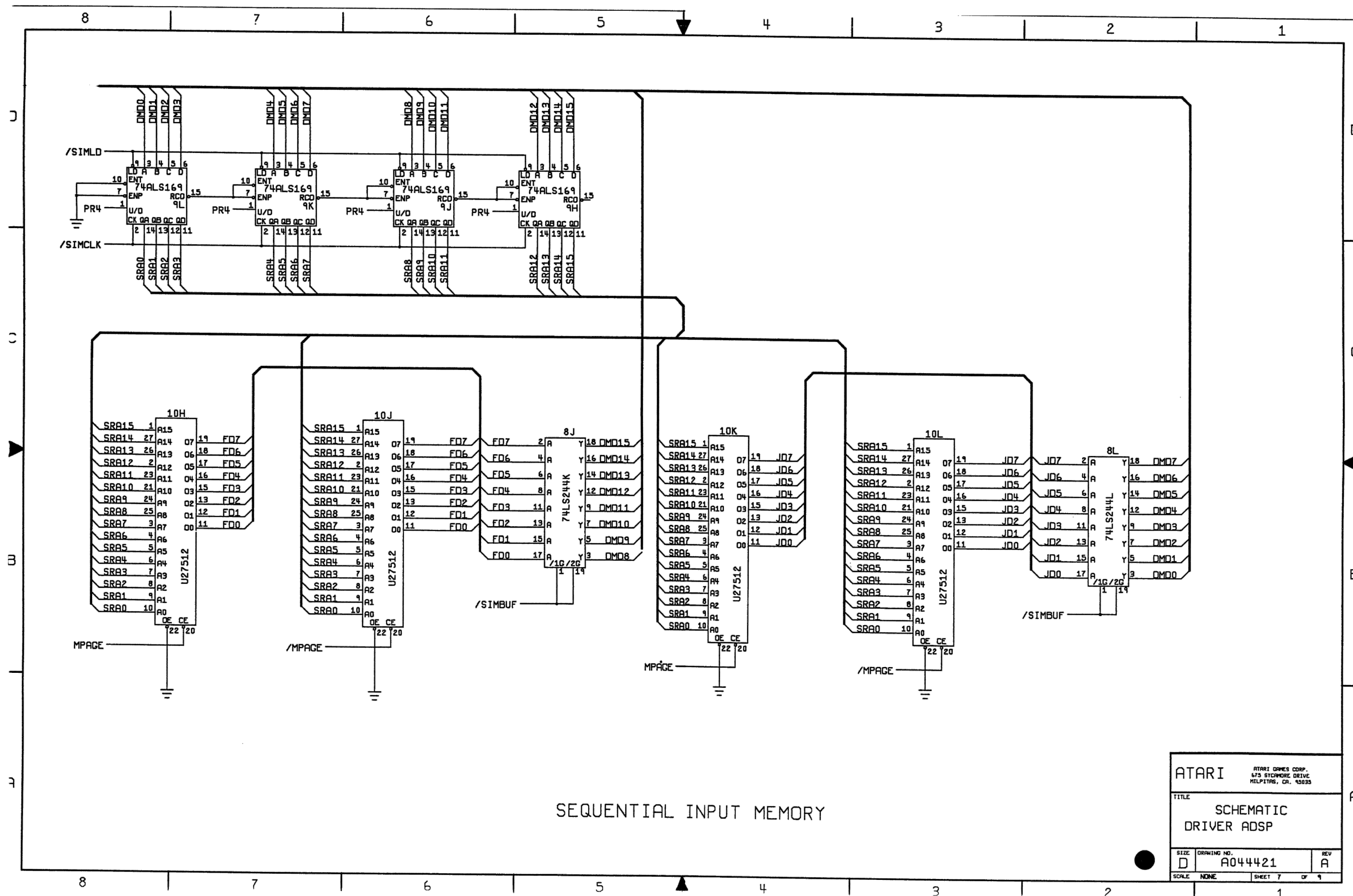
PROGRAM MEMORY

ATARI			ATARI GAMES CORP. 675 SYCAMORE DRIVE MILPITAS, CA. 95035
TITLE			
SCHEMATIC DRIVER ADSP			
SIZE	DRAWING NO.	REV	
D	A044421	A	
SCALE	NONE	SHEET	5 OF 9



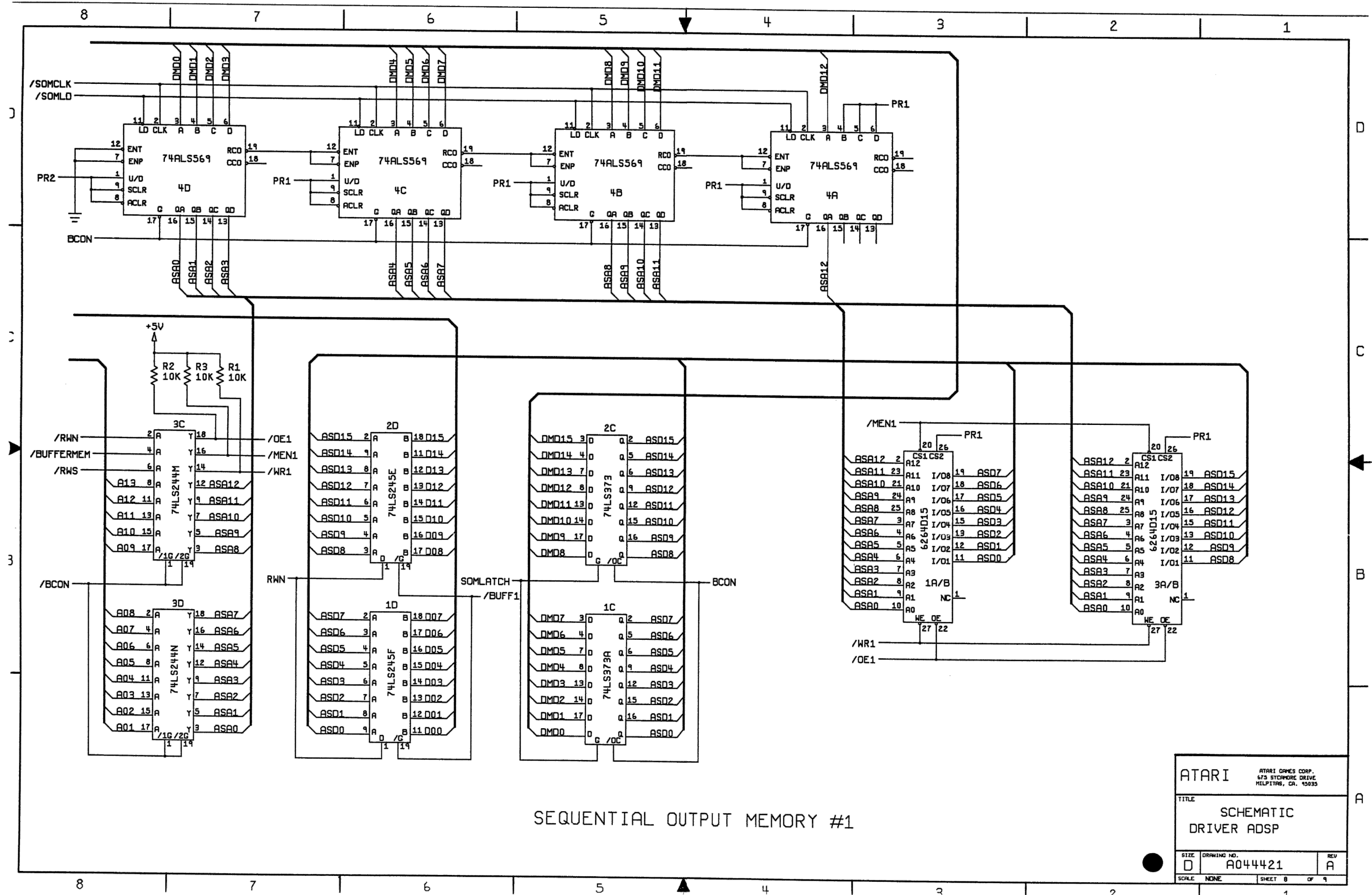
PROGRAM MEMORY /BUFFERS

ATARI		ATARI GAMES CORP. 675 STICKMORE DRIVE MILPITAS, CA. 95035	
TITLE			
SCHEMATIC DRIVER ADSP			
SIZE	DRAWING NO.	REV	
D	A044421	A	
SCALE	NONE	SHEET	6 OF 9



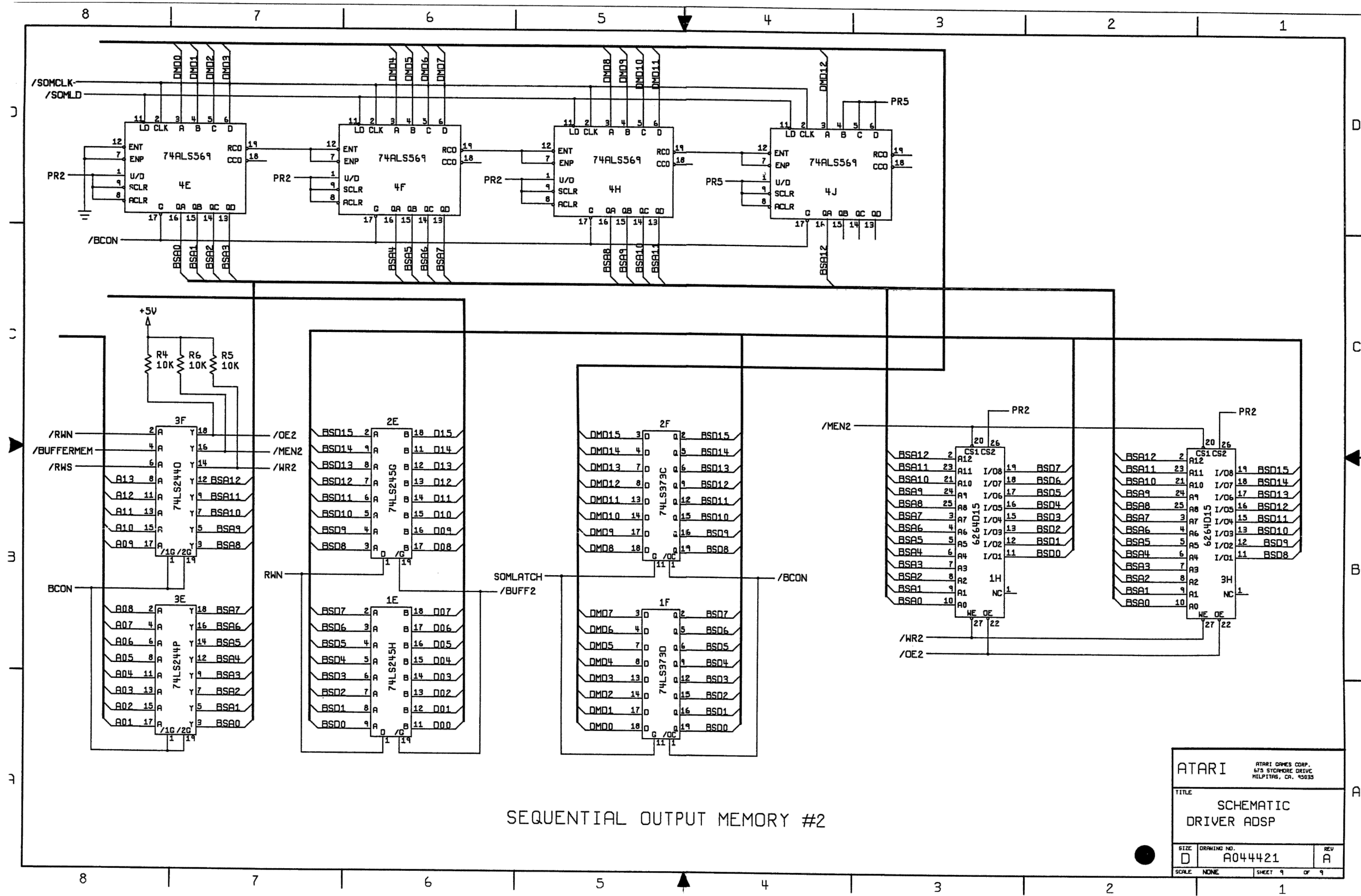
SEQUENTIAL INPUT MEMORY

ATARI		ATARI GAMES CORP. 675 STANFORD DRIVE MILPITAS, CA. 95035	
TITLE			
SCHEMATIC DRIVER ADSP			
SIZE	DRAWING NO.	REV	
D	A044421	A	
SCALE	NONE	SHEET	7 OF 9



SEQUENTIAL OUTPUT MEMORY #1

ATARI		
ATARI GAMES CORP. 573 STICKHORN DRIVE MILPITAS, CA. 95035		
TITLE		
SCHEMATIC DRIVER ADSP		
SIZE	DRAWING NO.	REV
D	A044421	A
SCALE	NONE	SHEET 8 OF 9



SEQUENTIAL OUTPUT MEMORY #2

ATARI		ATARI GAMES CORP. 675 STARBUCK DRIVE MILPITAS, CA. 95035
TITLE		
SCHEMATIC DRIVER ADSP		
SIZE	DRAWING NO.	REV
D	A044421	A
SCALE	NONE	SHEET 9 OF 9