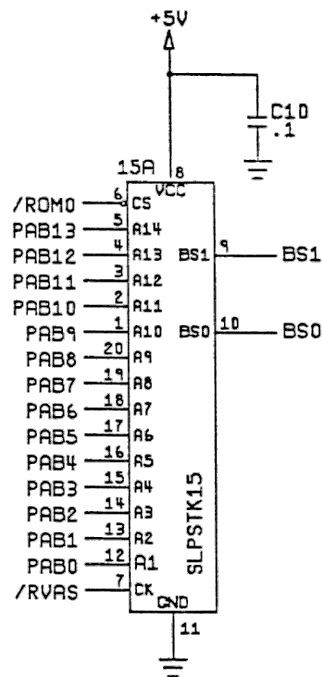
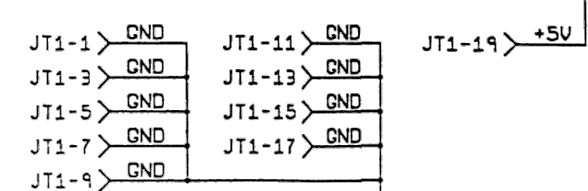
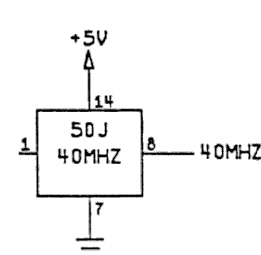
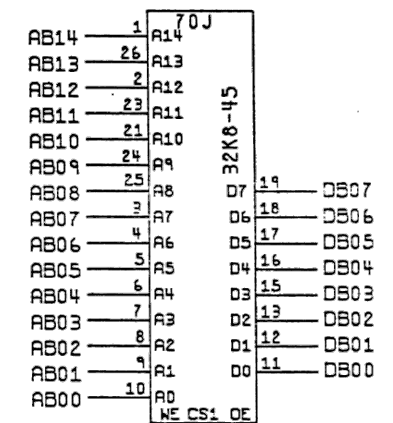
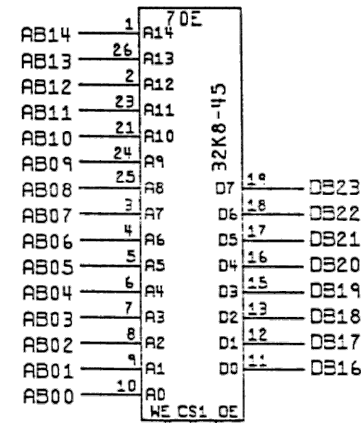
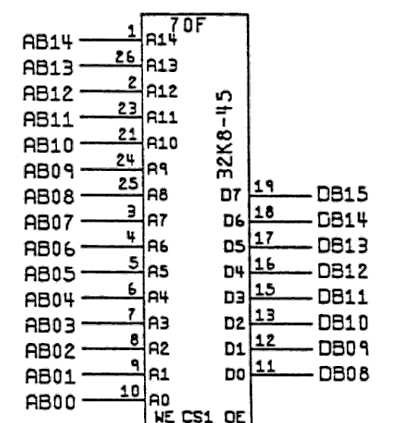
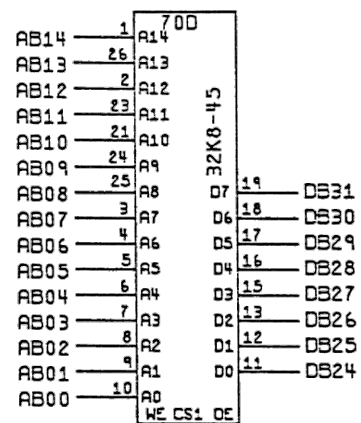
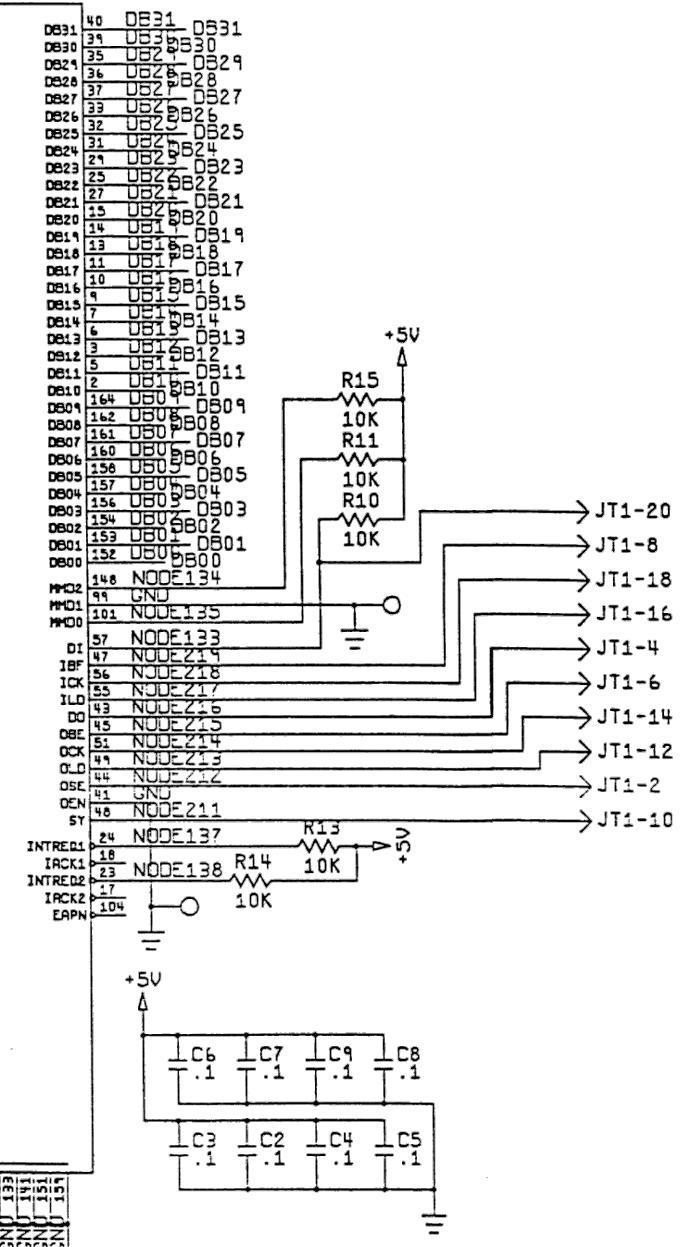
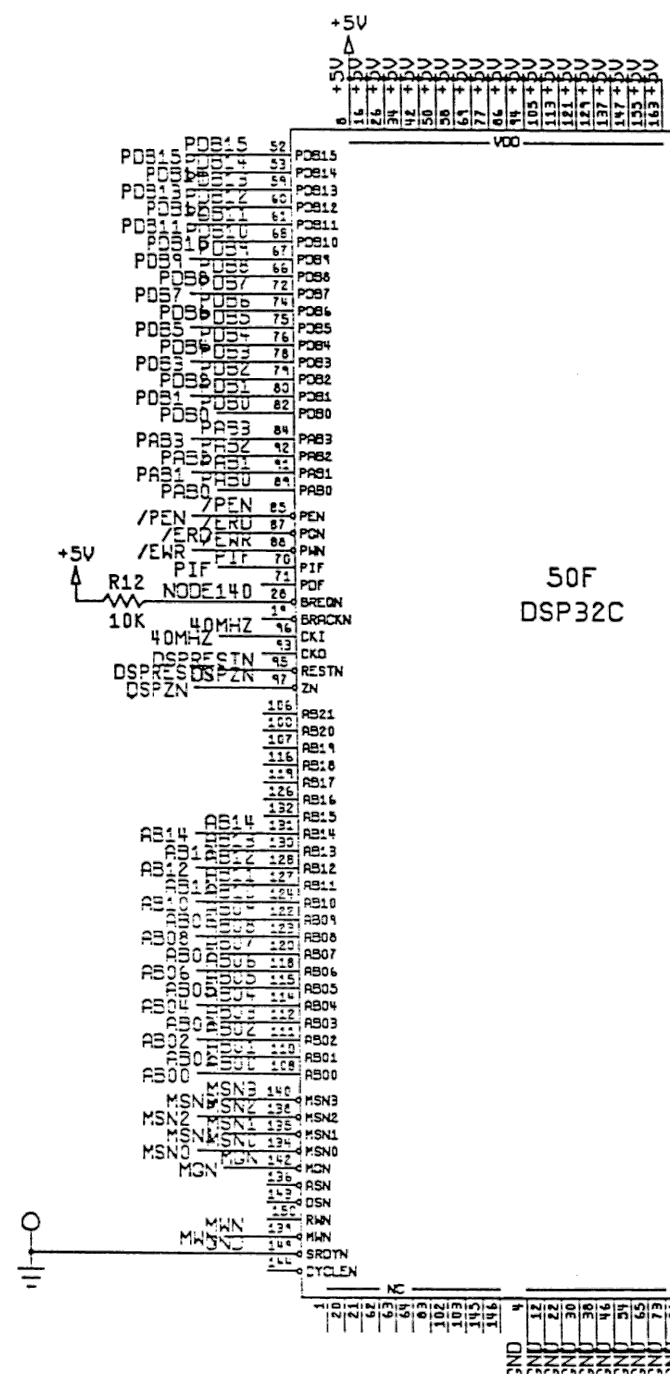


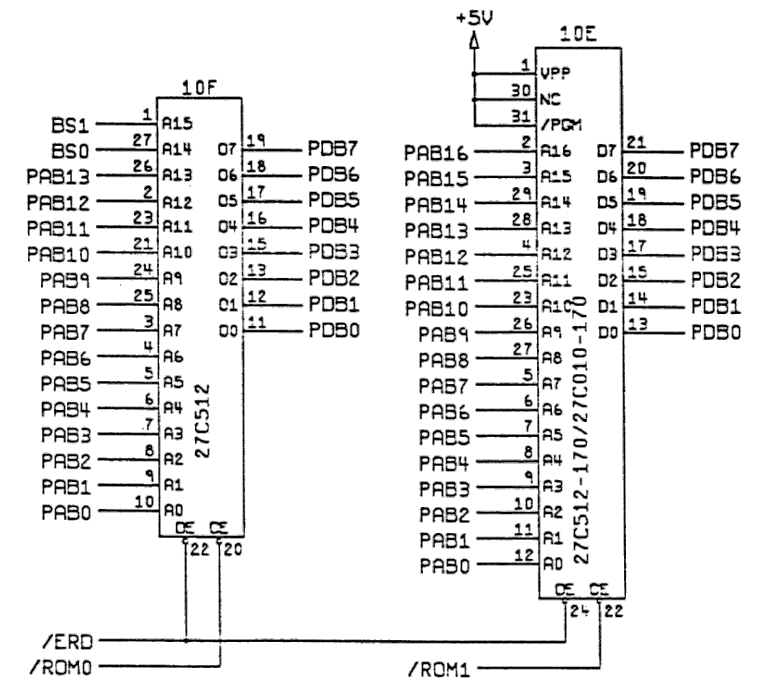
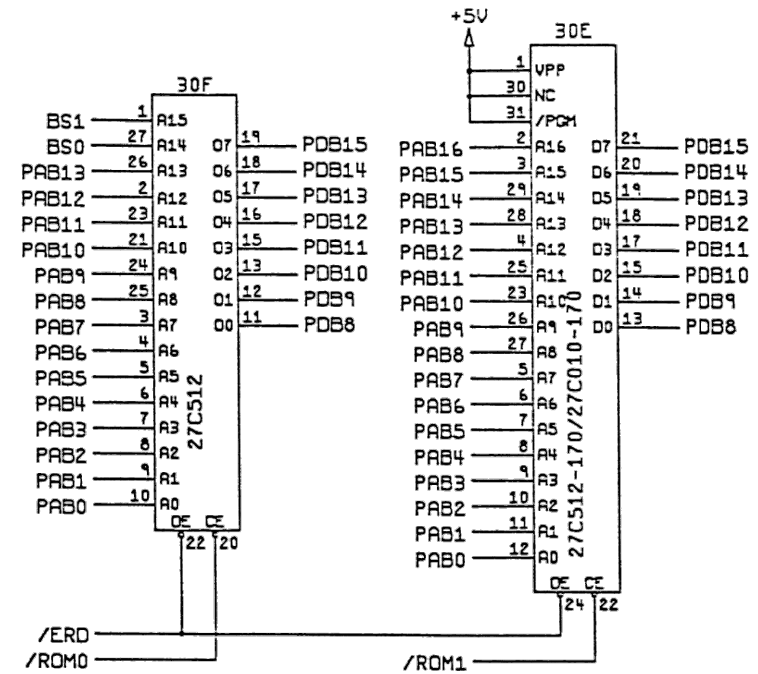
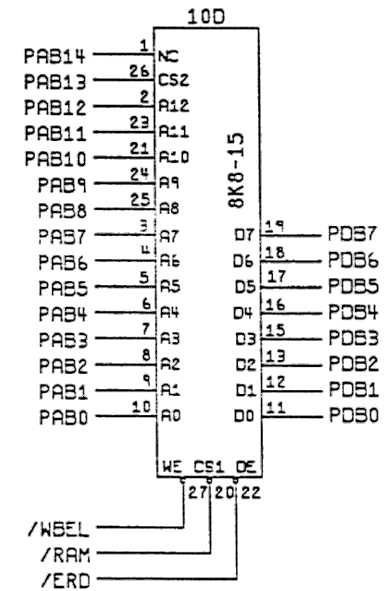
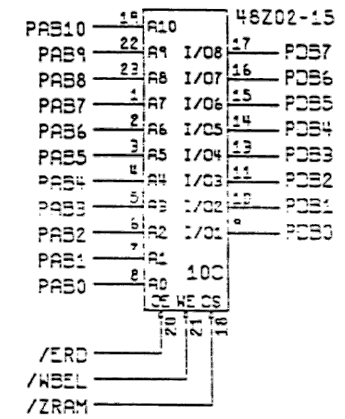
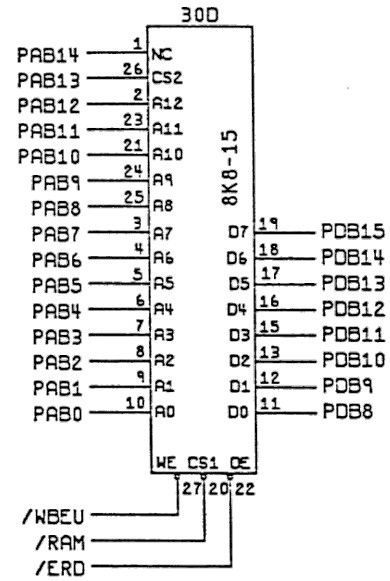
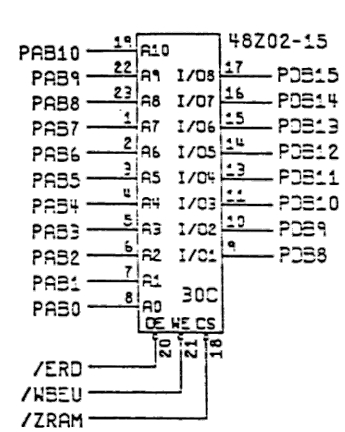
REVISIONS				
STY	DESCRIPTION	DATE	INCRP	CHECK APPROVED
A	PRODUCTION REL	3-28-90	STAFF	AJ JH
B	ECN 13916	6-13-90	JD	<i>[Signature]</i>



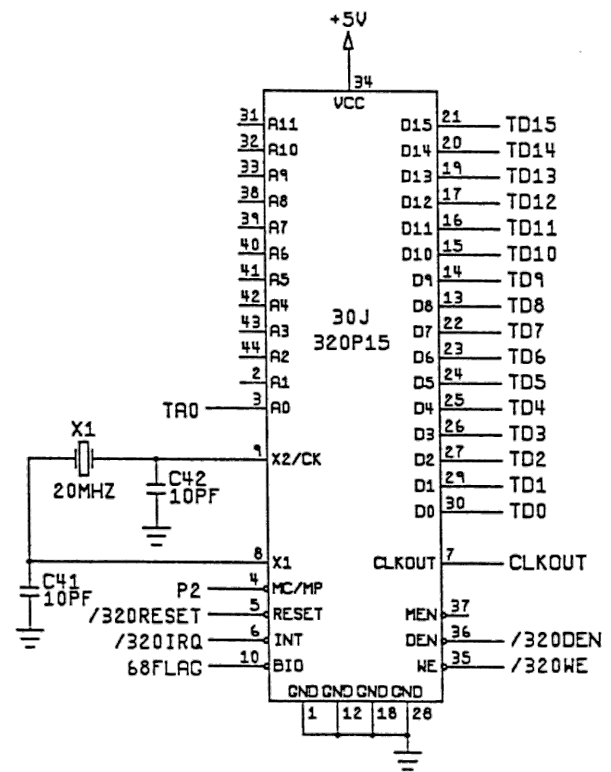
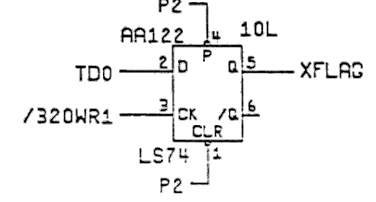
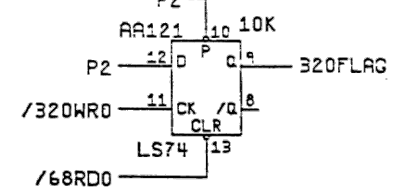
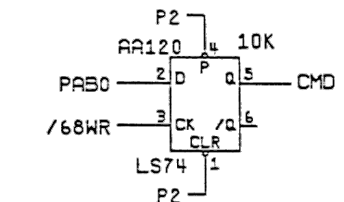
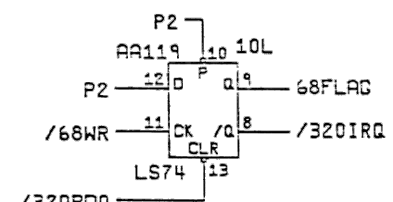
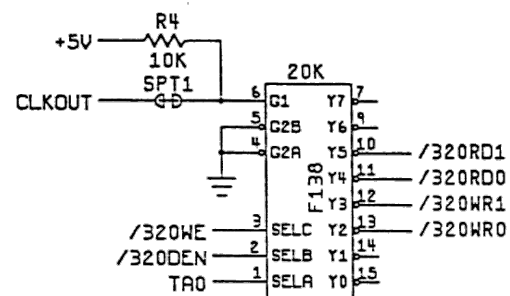
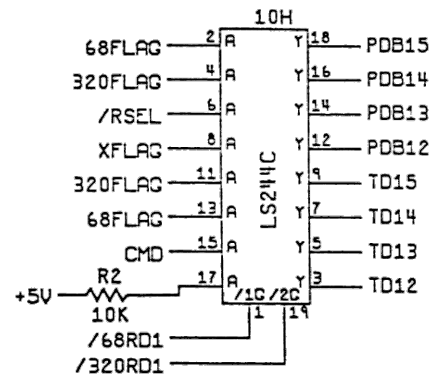
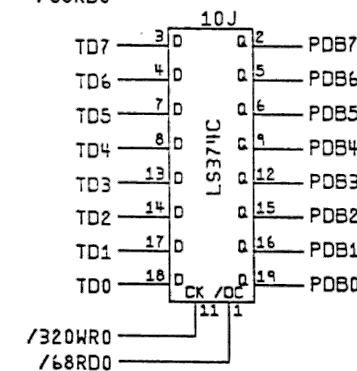
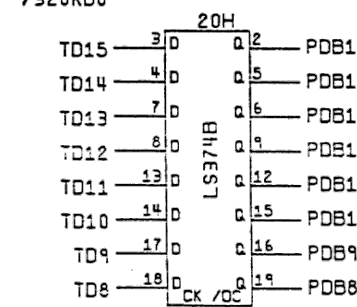
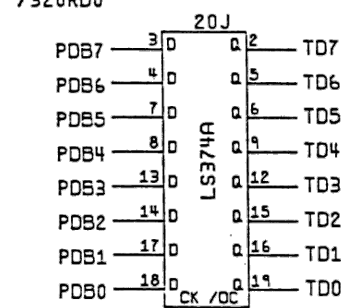
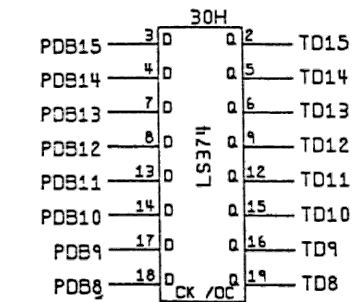
DO NOT SCALE DRAWING		DATE 3-28-90	ATARI
UNLESS OTHERWISE SPECIFIED DIMENSIONS ARE IN INCHES TOLERANCES ON: .10 ± .01 .01 ± .005		CHECKED BY A JACKSON 3-29-90	
DRAWN BY STAFF		DATE 3-28-90	ATARI GAMES CORP. 475 STOREY DRIVE MILPITAS, CA. 95035
NEXT ASSY FIRST USED ON		DATE 3-29-90	TITLE SCHEMATIC, HD, DSK PCB
MATERIAL: SEE PL R047723-01 R047724-01		DATE 3-29-90	SIZE D DRAWING NO. 047723-01
NOTICE TO ALL PERSONS RECEIVING THIS DRAWING: CONFIDENTIAL INFORMATION CONTAINED HEREIN IS UNCLASSIFIED EXCEPT WHERE SHOWN OTHERWISE. THIS INFORMATION IS UNCLASSIFIED EXCEPT WHERE SHOWN OTHERWISE. THIS INFORMATION IS UNCLASSIFIED EXCEPT WHERE SHOWN OTHERWISE. THIS INFORMATION IS UNCLASSIFIED EXCEPT WHERE SHOWN OTHERWISE.		DATE 3-29-90	SCALE NONE SHEET 1 OF 4



ATARI		ATARI DYNES CORP. 675 SYCAMORE DRIVE MILPITAS, CA. 95035	
TITLE			
SCHEMATIC, HD, DSK PCB			
SIZE	DRAWING NO.	REV	
D	047723-01	B	
SCALE NONE		1 SHEET 2 OF 4	



ATARI		ATARI GAMES CORP. 675 STEWART DRIVE MILPITAS, CA. 95035
TITLE SCHEMATIC, HD, DSK PCB		
SIZE	DRAWING NO.	REV
D	047723-01	B
SCALE NONE		SHEET 3 OF 4



ATARI		ATARI GAMES CORP. 475 STORFORD DRIVE MILPITAS, CA. 95035	
TITLE			
SCHEMATIC, HD, DSK PCB			
SIZE	DRAWING NO.	REV	
D	047723-01	B	
SCALE	NONE	SHEET	4 OF 4

D  
C  
B  
A