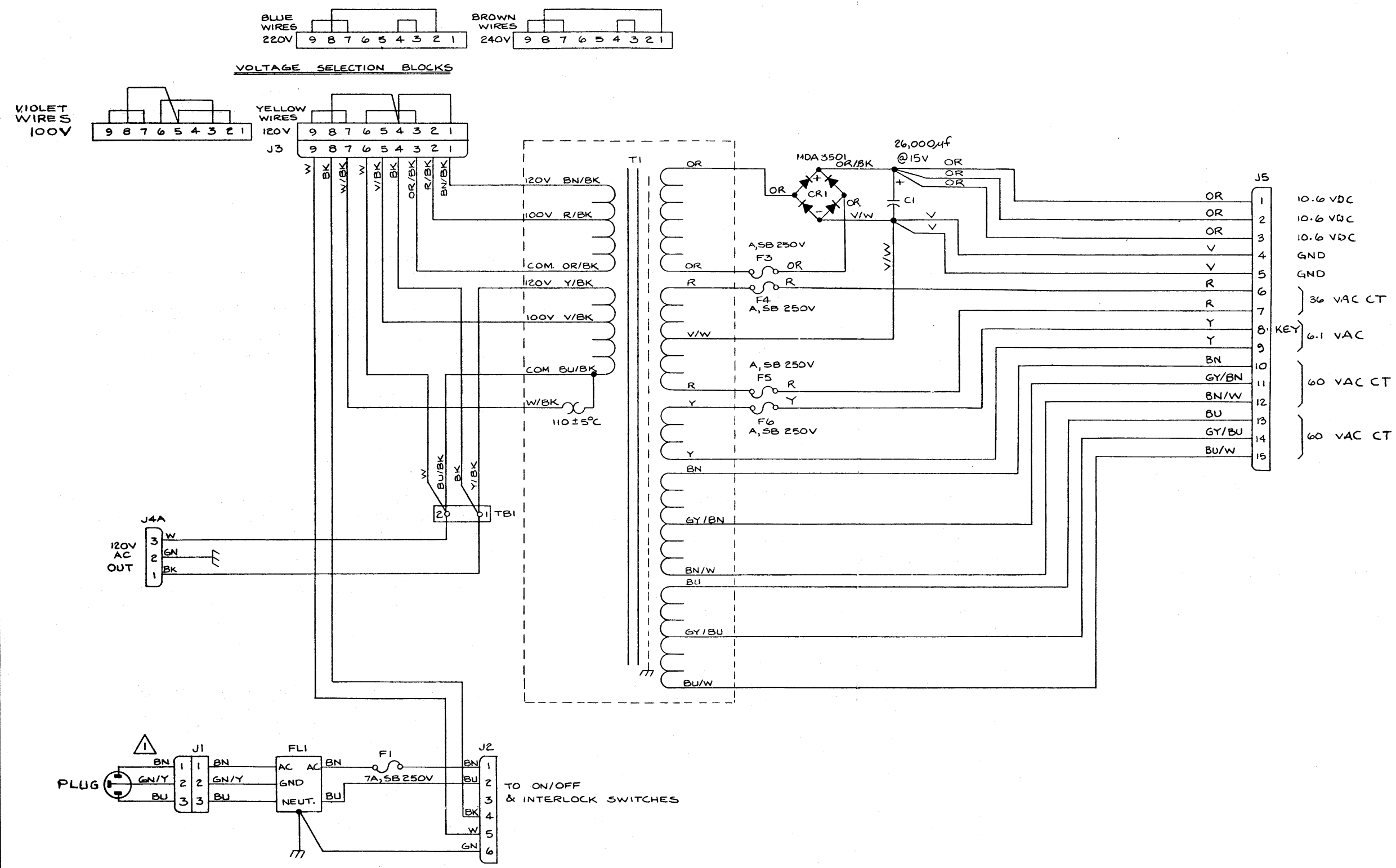
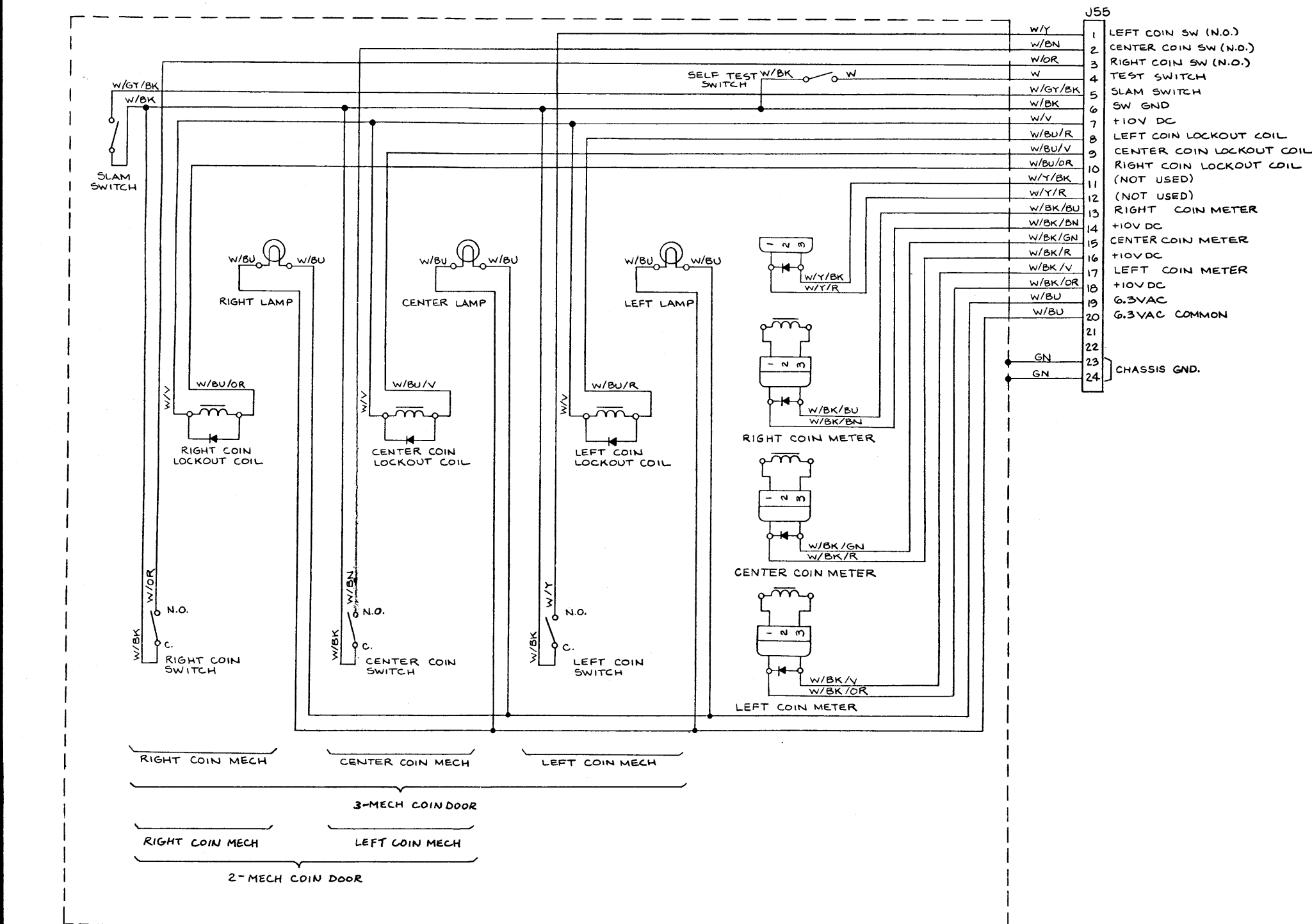


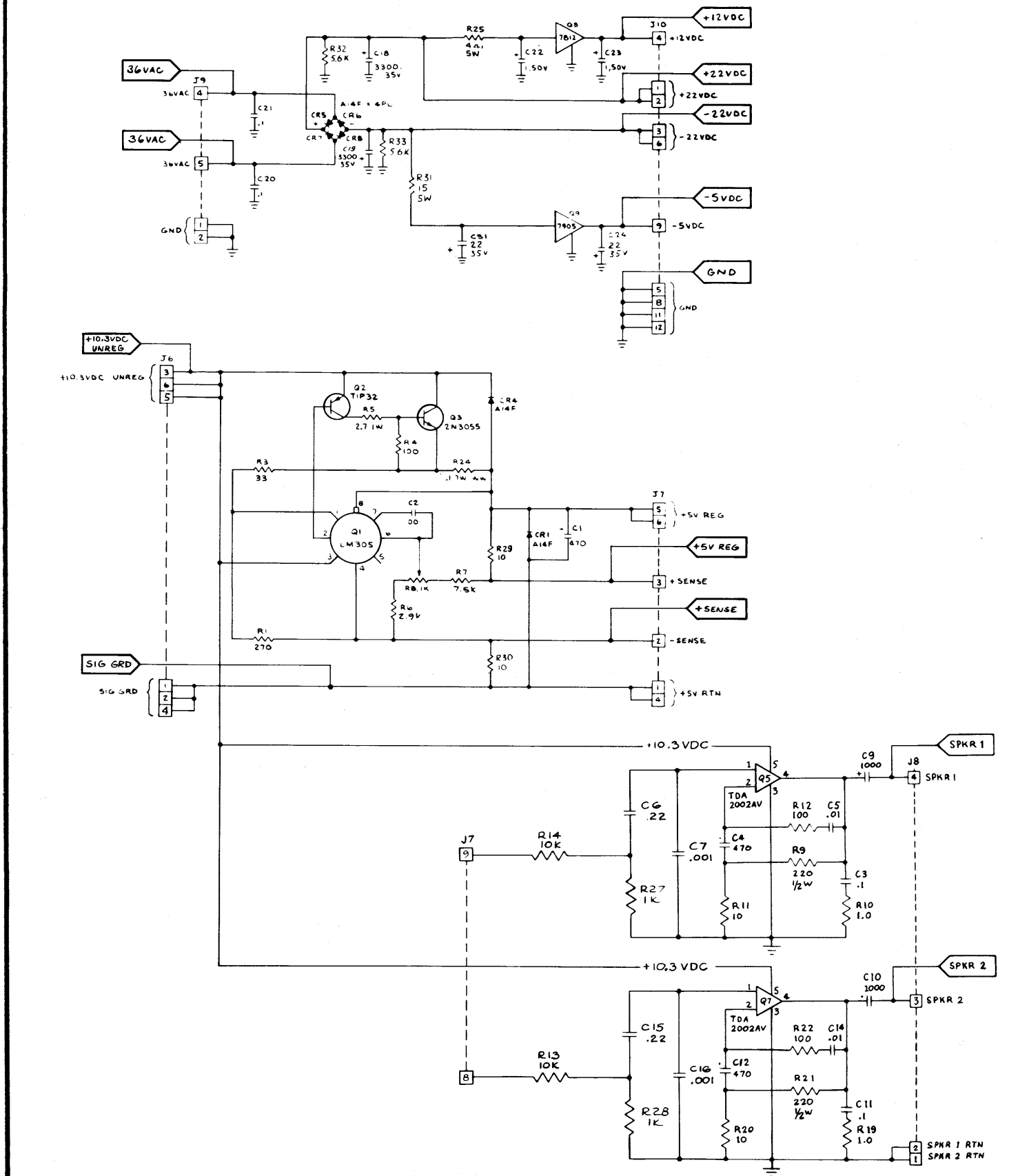
INTERNATIONAL POWER SUPPLY SCHEMATIC (035887-01) A



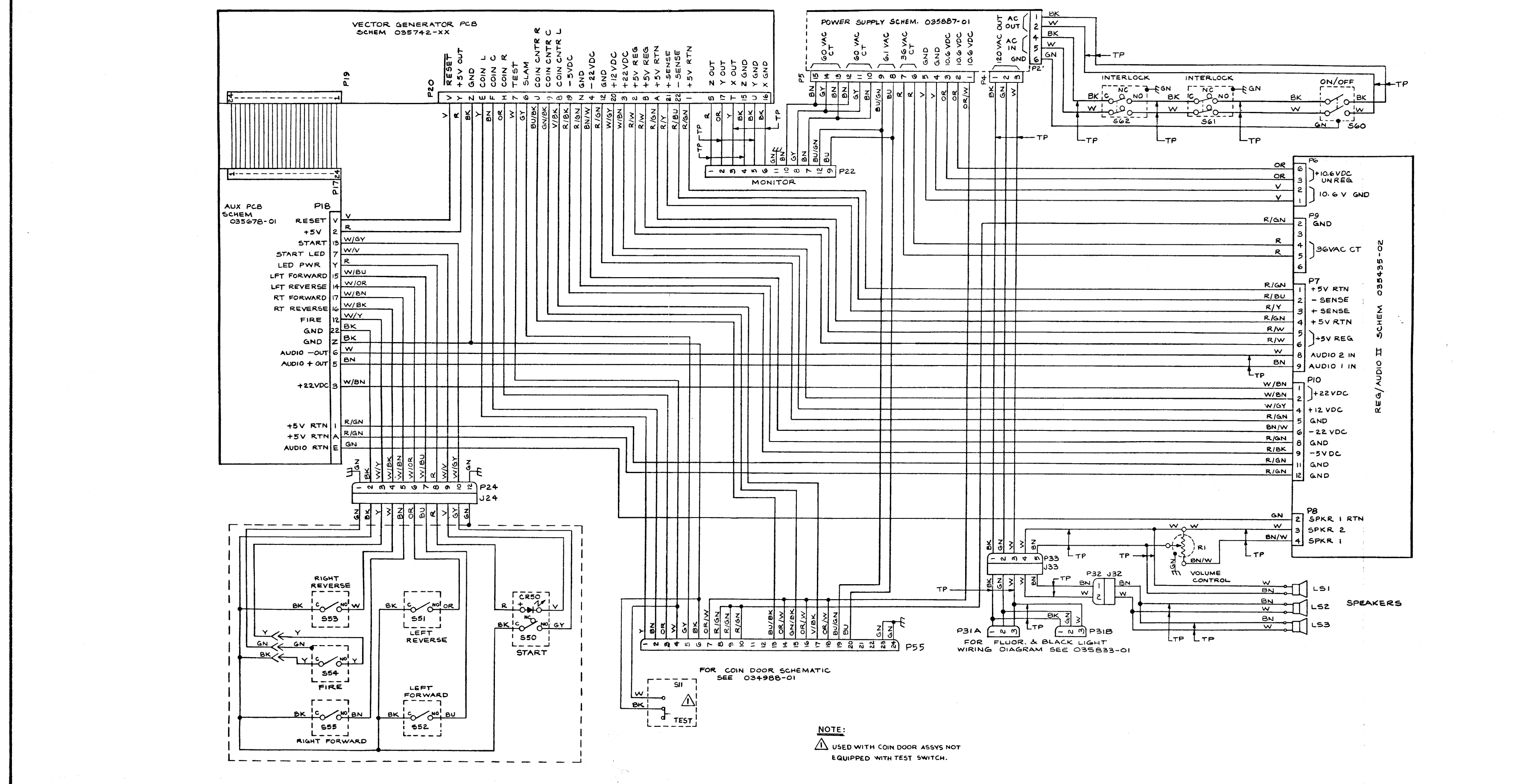
COIN DOOR SCHEMATIC (034988-01) A



REGULATOR AUDIO II PCB SCHEMATIC (035435-02 C)



BATTLEZONE WIRING DIAGRAM (036242-01) C



The Regulator/Audio PCB has the dual functions of regulating the +5 VDC logic power to the game PCB and amplifying the audio from the game PCB.

Regulator Circuit

The regulator consists of voltage regulator Q1, current source power transistor Q3 and Q3's bias transistor Q2. The regulator accurately regulates the logic power input to the game PCB by monitoring the voltage through high impedance inputs +SENSE and -SENSE. The inputs are directly from the +5 VDC and ground inputs to the game PCB. Therefore, the regulator regulates the voltage on the game PCB. This eliminates a reduced voltage due to IR buildup on the wire harness between the regulator and the game PCB. Variable resistor R8 is adjusted for the +5 VDC on the game PCB. Once adjusted, the voltage at the input of the game PCB will remain constant at this voltage.

Regulator Adjustment

1. Connect a voltmeter between +5 V and GND test points of the game PCB.
2. Adjust variable resistor R8 on the Regulator/Audio PCB for +5 VDC reading on the voltmeter.
3. Connect a voltmeter between +5 V REG and GND on the Regulator/Audio PCB. Voltage reading shall not be greater than +5.5 VDC. If greater, try cleaning edge connectors on both the game PCB and the Regulator/Audio PCB.
4. If cleaning PCB edge connectors doesn't decrease voltage difference, connect minus lead of voltmeter to GND test point of Regulator/Audio PCB and plus lead to GND test point of game PCB. Note the voltage. Now connect minus lead of voltmeter to +5 REG test point on Regulator/Audio PCB and plus lead to +5 V test point on game PCB. From this you can see which harness circuit is dropping the voltage. Troubleshoot the appropriate harness wire or harness connector.

Audio Circuit

The audio circuit contains two independent audio amplifiers. Each consists of a TDA2002AV amplifier with a gain of ten.



Drawing Package Supplement

to

BATTLEZONE™

Operation, Maintenance, and Service Manual

Contents of this Drawing Package

- Game Coin Door and Power Supply Wiring Diagrams
- Math Box Signature Analysis Procedures
- Microprocessor
- Coin Door Inputs and Analog Vector-Generator Outputs
- Vector-Generator
- Auxiliary PCB Math Box, Switch Inputs and Audio Outputs

- Sheet 1, Side A
- Sheet 1, Side B
- Sheet 2, Side A
- Sheet 2, Side B
- Sheet 3, Side A
- Sheet 3, Side B

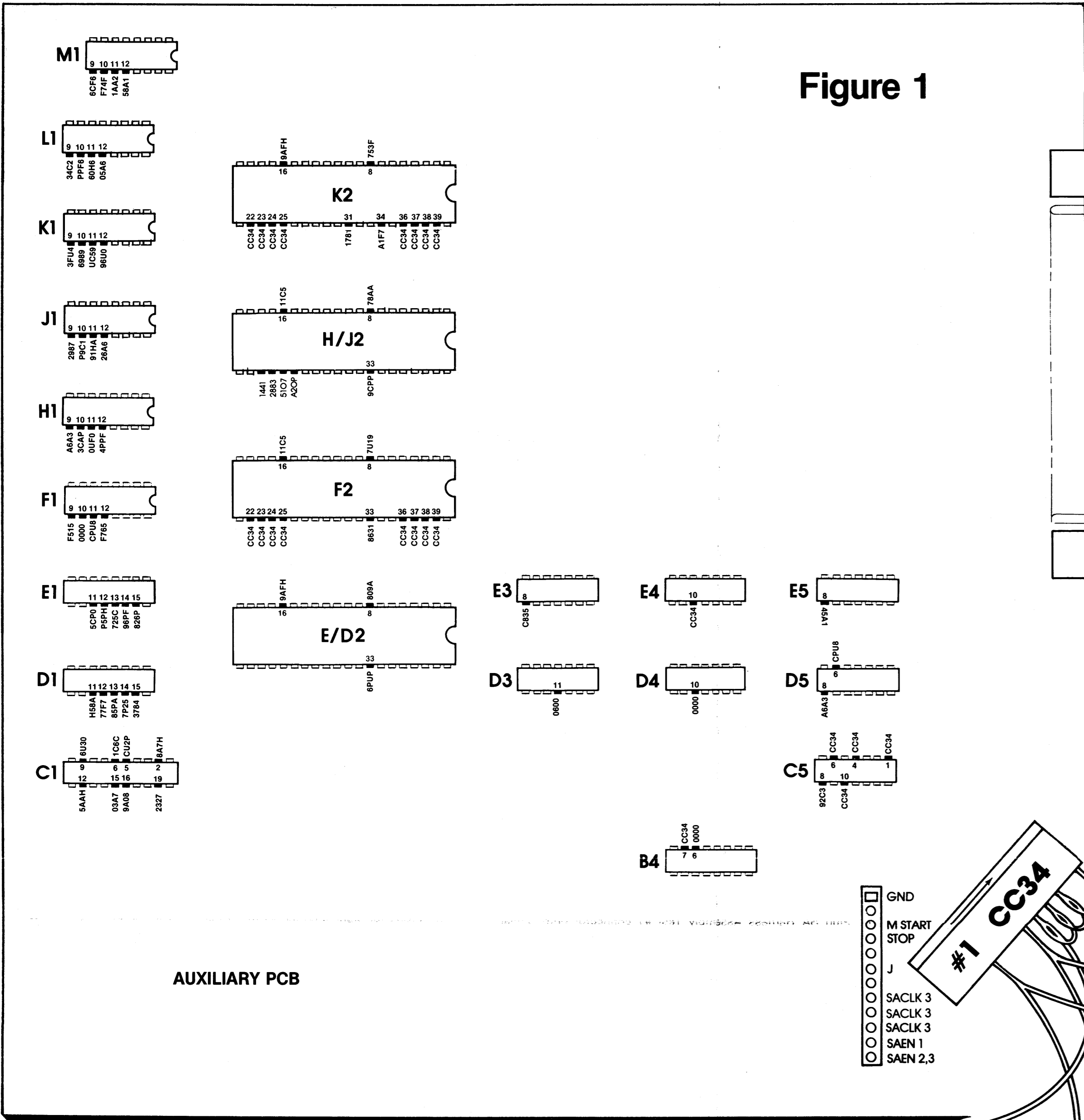


Figure 1

The Auxiliary PCB Math Box Circuitry

The Math Box Circuitry of the Battlezone Auxiliary PCB is connected to the Analog Vector-Generator PCB via the PCB harness interconnector. The Math Box Circuitry receives addresses EAB0 thru EAB4 (external address bus 0 thru 4) and provides data EDB0 thru EDB7 that results in the three-dimensional video of the Battlezone™ game.

A second connector on the Auxiliary PCB connects the control signals of the signature analyzer (SA). This header accepts a special harness connector that makes signature analysis extremely easy.

Signature Analysis of the Math Box Circuitry

During the self-test procedure, the Math Box Circuitry is quizzed. T displayed in the upper right-hand corner of the self-test video display indicates that the Math Box Circuitry does not answer the question in the amount of time expected. Therefore, a T indicates a Math Box Circuitry failure.

Due to the complexity of this circuitry, we offer signature analysis as a simple means of isolating failing circuits. Signatures for this circuitry are presented in two forms:

- 1) at the actual test points in the Auxiliary PCB Math Box Circuitry schematic diagram (on Sheet 3, Side B), and
- 2) for your convenience, on the detail drawing of the Auxiliary PCB to the left of this text.

Since the Analog Vector-Generator PCB must be connected to the Auxiliary PCB, you may take signatures while the PCBs are installed in the game.

The following is the procedure for signature analysis of the Math Box Circuitry of the Auxiliary PCB:

A. Equipment Required:

1. Signature Analyzer (one of the following):
Atari C+A-T Computer-Assisted Troubleshooter. This is a signature analyzer and a RAM/ROM tester combined. For more information contact Atari, Inc., Field Service/Coin-Op Division, P.O. Box 427, Sunnyvale, CA 94086.

OR

1. Kurz-Kasch Signature II signature analyzer. For more information contact Kurz-Kasch, 711 Hunter Drive, Wilmington, Ohio 45117.

OR

1. Hewlett-Packard Model 5004A signature analyzer. For more information contact Hewlett-Packard, Scientific Instruments Div., 1501 Page Mill Road, Palo Alto, CA 94304.
For local dealers, check the Yellow Pages under "Electronic Equipment and Supplies."

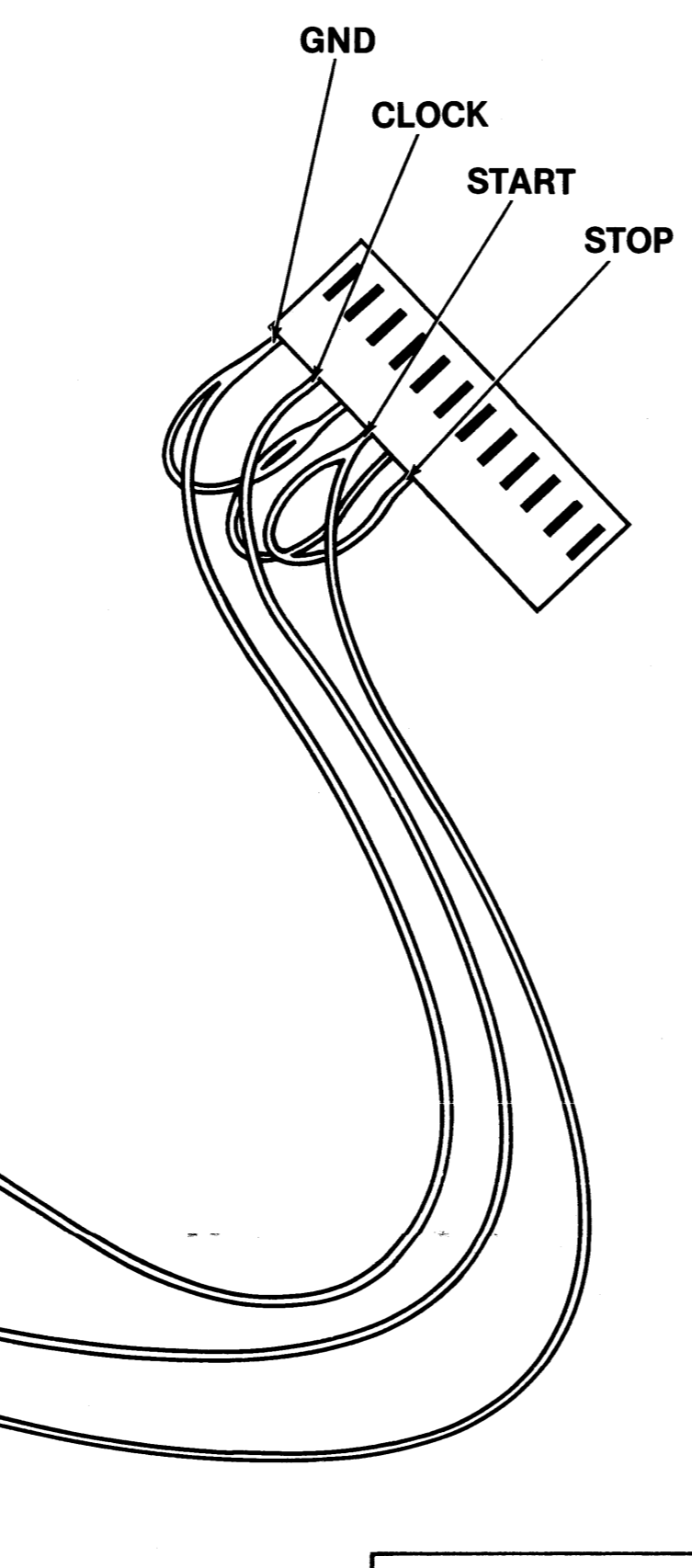


Figure 3

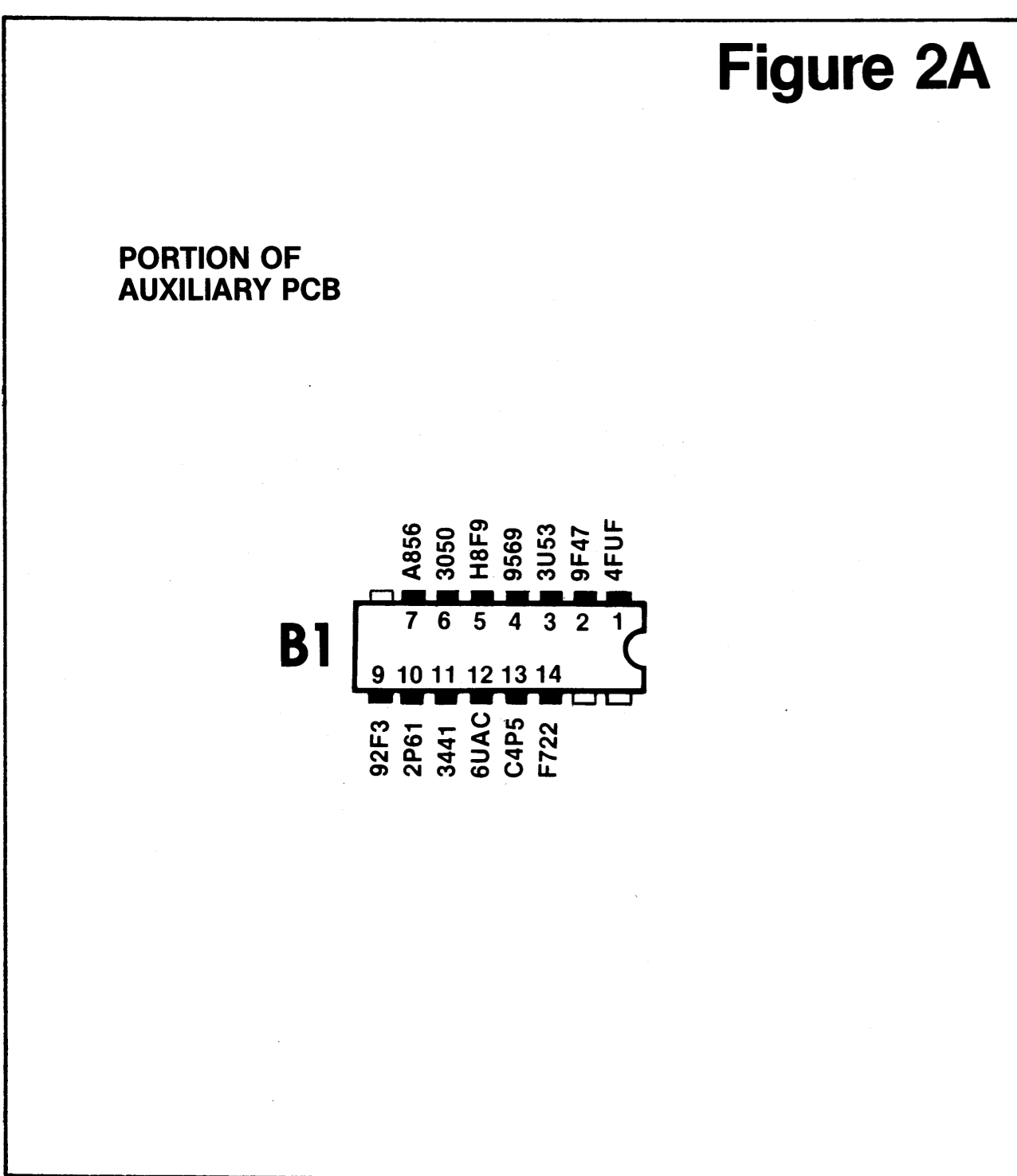


Figure 2A

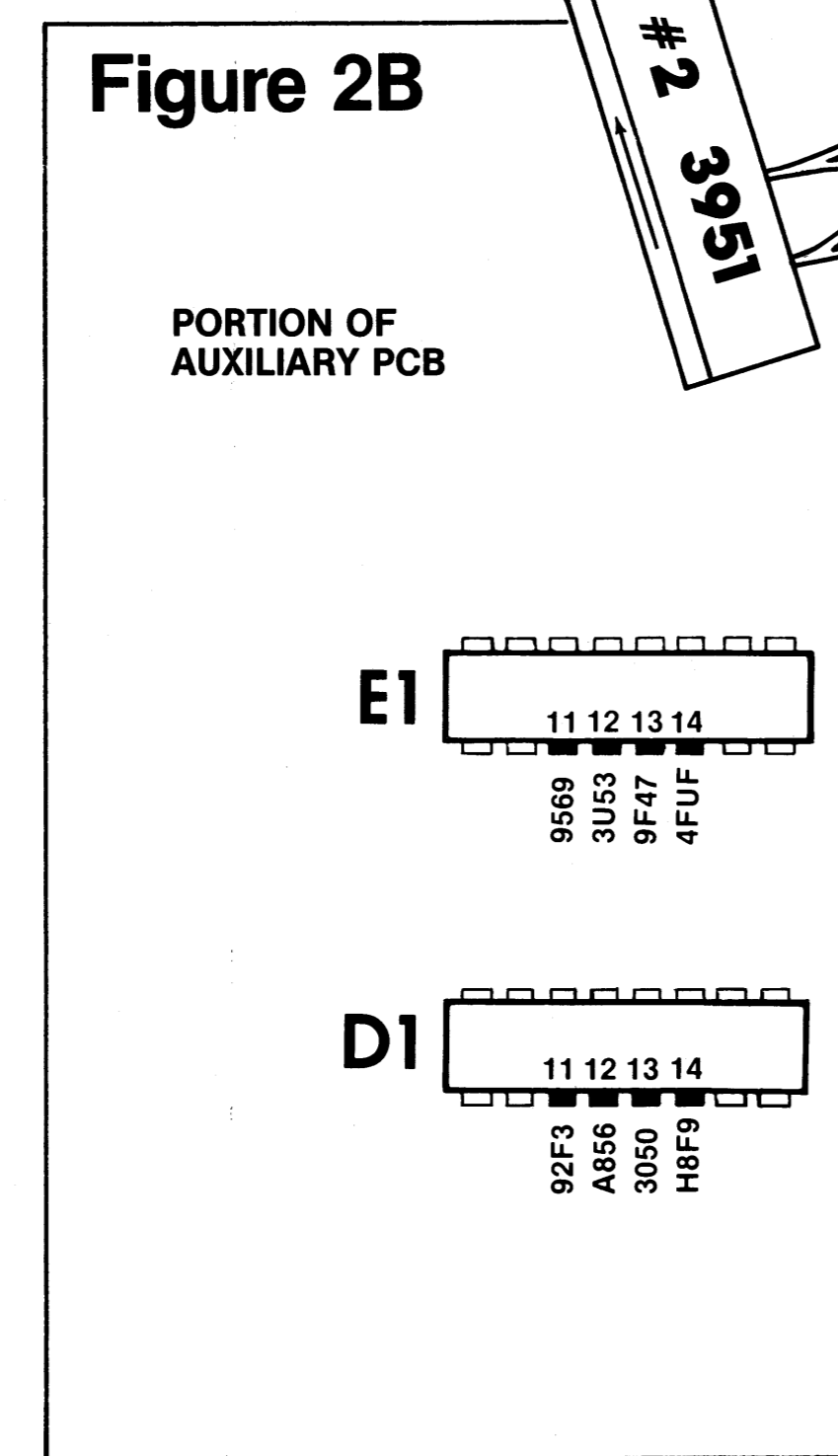
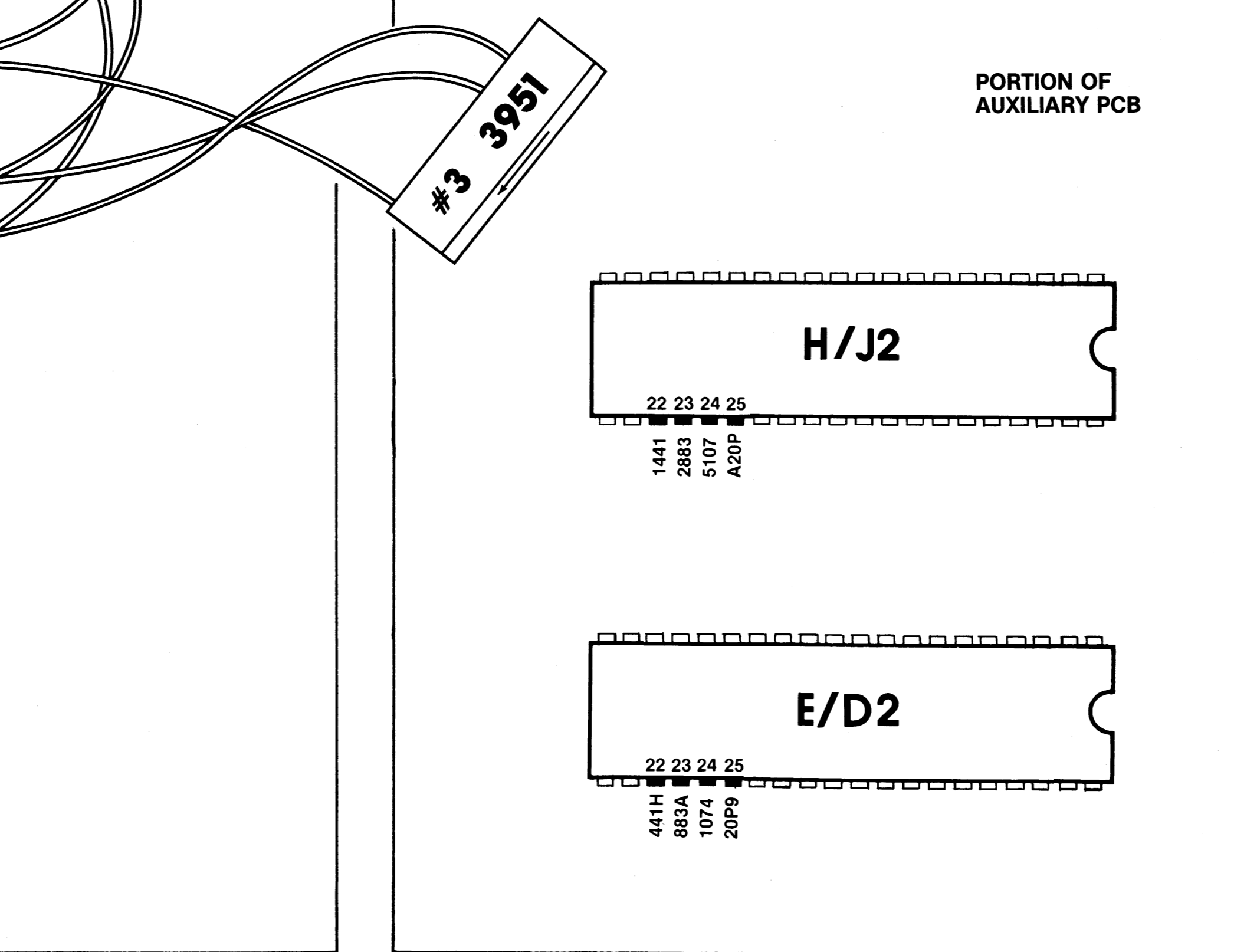
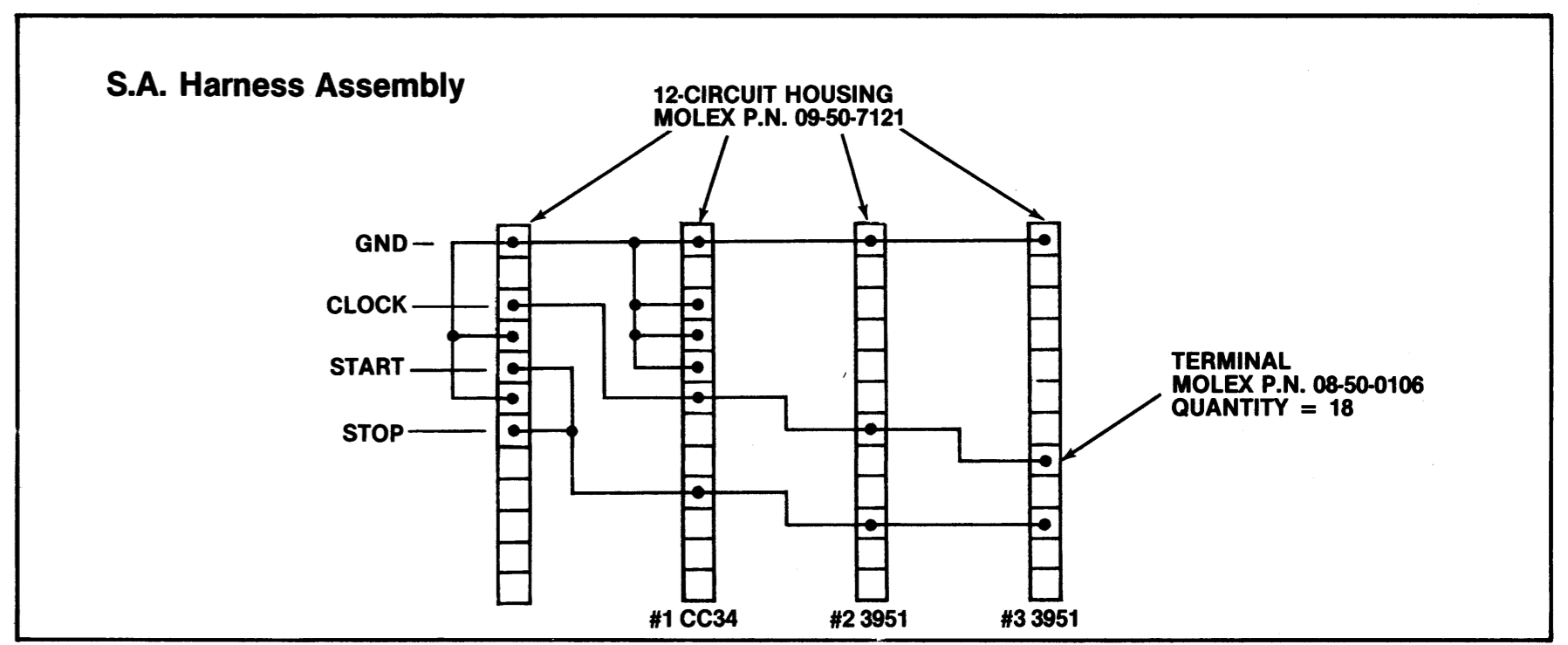


Figure 2B



PORTION OF AUXILIARY PCB



S.A. Harness Assembly

2. SA Harness Assembly:
Atari part number A036836-01. You can make one of these yourself. Above is an illustration of its construction.
3. Three jumper wires with "hook" connectors on each end.
4. Pullup resistor as follows: 1K to 1.5K ohm, 1/4 watt resistor.

B. Signature Analysis Setup Procedure

1. Connect Signature Analyzer to the matching pins of SA connector on the SA Harness assembly. In other words, GND should match up with GND, etc.
2. Set Self-Test Switch of Battlezone™ game to ON. After approximately three seconds, the TV monitor should display the self-test pattern.
3. Jumper top end of 1K-ohm resistor R129 (located immediately between and below C [center] and L [left] COIN test points) of Analog Vector-Generator PCB to ground five times, or until video display is blank. You will hear a short beep after the 5th grounding; also, the screen will display only a tiny dot in its center. **NOTE:** To avoid accidentally turning off the game by brushing against the interlock switch, we recommend putting tape over the switch.

Alternate: Jumper pin 5 of Analog Vector-Generator PCB edge-connector J20 to ground five times, or until video display is blank.

C. Signature Analysis Test #1 Procedure

1. Plug SA Harness Assembly Test #1 connector onto Signal Analyzer header on Auxiliary PCB (the black wire on the connector should be at the top).
2. Connect a jumper between pin 1 of IC B6 on the Analog Vector-Generator PCB and ground. This places a continuous RESET to the microprocessor on the Analog Vector-Generator PCB.
3. Set Signature Analyzer START to , STOP to , and CLOCK to .
4. Connect a jumper wire to each end of a 1K to 1.5K-ohm resistor. Connect one jumper wire to +5V test point on Auxiliary PCB. Connect other jumper wire to the tip of the Signature Analyzer probe.

5. Verify that setup procedure was correct by probing (touching probe to) the +5V test point. The Signature Analyzer should indicate CC34. If not CC34, remove the jumper from pin 1 of IC B6. Return to B. *Signature Analysis Setup Procedure* and once again do step 3. If +5V is CC34, refer to G. *Isolating a Failing Circuit*.
6. Probe for signatures as shown in Figure 1 to the left. If all signatures are correct, continue with D. *Signature Analysis Test #2A Procedure*. If any signatures are incorrect, probe for signature of CC34 on +5V test point. If not CC34, remove jumper from pin 1 of IC B6. Return to B. *Signature Analysis Setup Procedure* and once again do step 3. If +5V is CC34, refer to G. *Isolating a Failing Circuit*.

D. Signature Analysis Test #2A Procedure

1. Remove 1K to 1.5K-ohm jumper wire from Signature Analyzer probe.
2. Plug SA Harness Assembly Test #2 connector onto Signature Analyzer header on Auxiliary PCB.
3. Remove jumper from pin 1 of IC B6 on the Analog Vector-Generator PCB.
4. Set Signature Analyzer START to , STOP to , and CLOCK to .

5. Verify that setup procedure was correct by probing +5V for a signature of 3951. If not 3951, return to B. *Signature Analysis Setup Procedure* and once again do step 3, then return to this step.
6. Probe for signatures as shown in Figure #2A to the left. If all signatures are correct, continue with E. *Signature Analysis Test #2B Procedure*. If a signature is incorrect, refer to G. *Isolating a Failing Circuit*.

E. Signature Analysis Test #2B Procedure

1. Make sure the SA Harness Assembly Test #2 connector is plugged onto Signature Analyzer header on Auxiliary PCB.
2. Make sure jumper is removed from pin 1 of IC B6 on the Analog Vector-Generator PCB.
3. Set Signature Analyzer START to , STOP to , and CLOCK to .

4. Verify that setup procedure was correct by probing +5V for a signature of 3951. If not 3951, return to B. *Signature Analysis Test #3 Procedure* and once again do step 3, then return to this step.

5. Probe for signatures as shown in Figure #2B to the left. If all signatures are correct, continue with F. *Signature Analysis Test #3 Procedure*. If a signature is incorrect, refer to G. *Isolating a Failing Circuit*.

F. Signature Analysis Test #3 Procedure

1. Plug SA Harness Assembly Test #3 connector onto Signature Analyzer header on Auxiliary PCB.
2. Make sure jumper is removed from pin 1 of IC B6 on the Analog Vector-Generator PCB.
3. Set Signature Analyzer START to , STOP to , and CLOCK to .
4. Verify that setup procedure was correct by probing +5V for a signature of 3951. If not 3951, return to B. *Signature Analysis Test #3 Procedure* and once again do step 3, then return to this step.
5. Probe for signatures as shown in Figure #3 to the left. If all signatures are correct, then Math Box Circuitry of Analog Vector-Generator PCB is OK.

G. Isolating a Failing Circuit

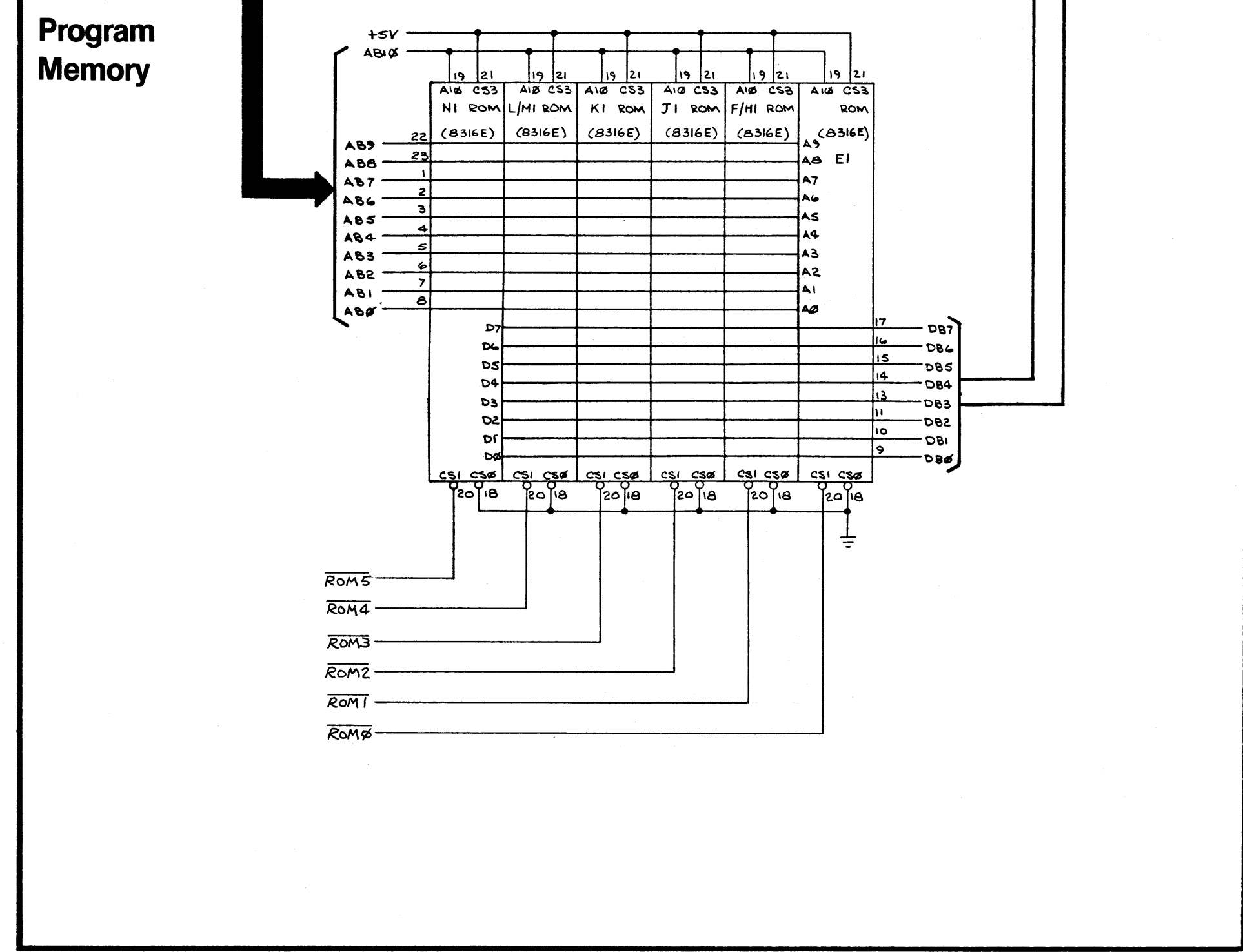
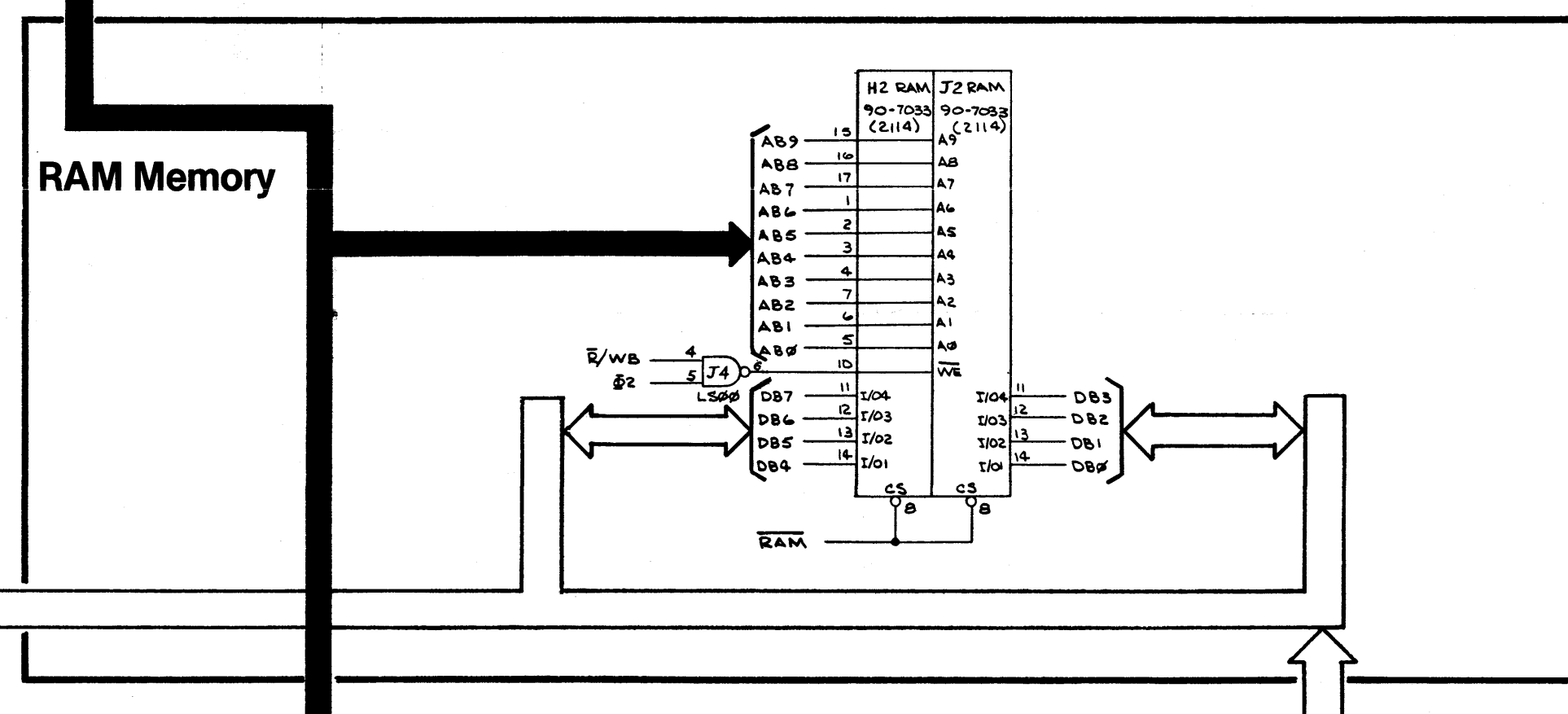
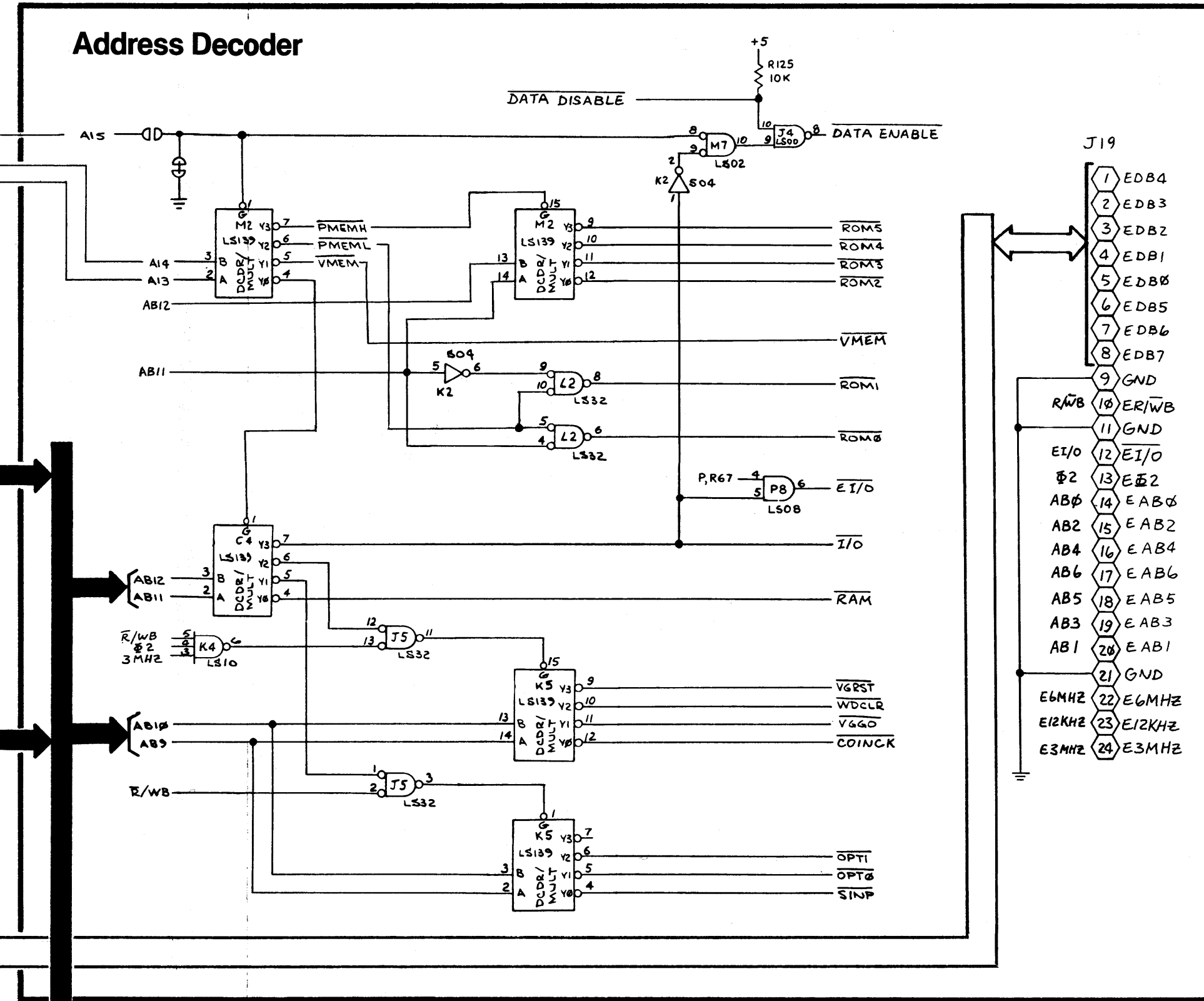
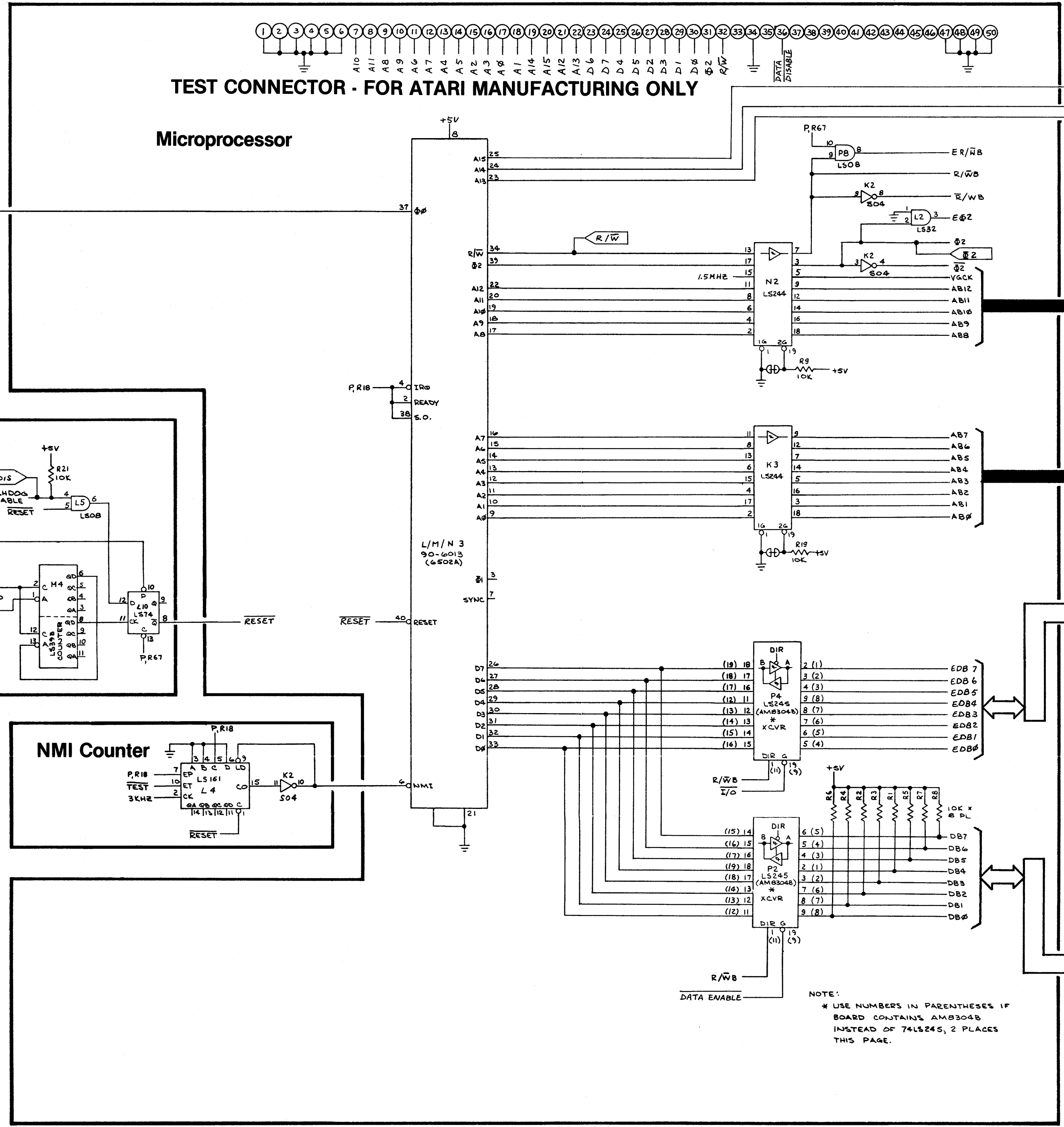
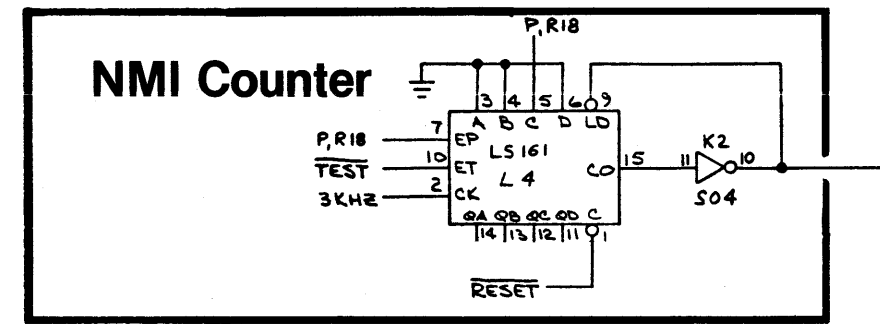
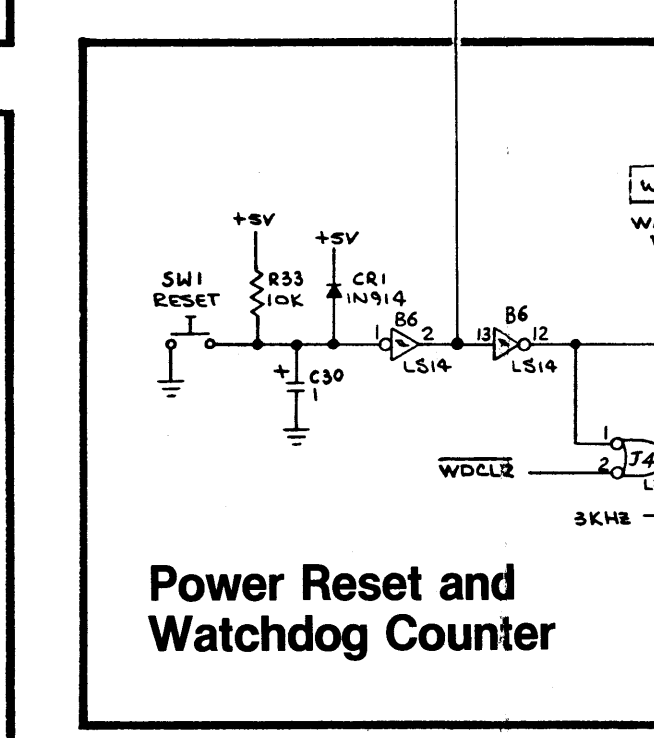
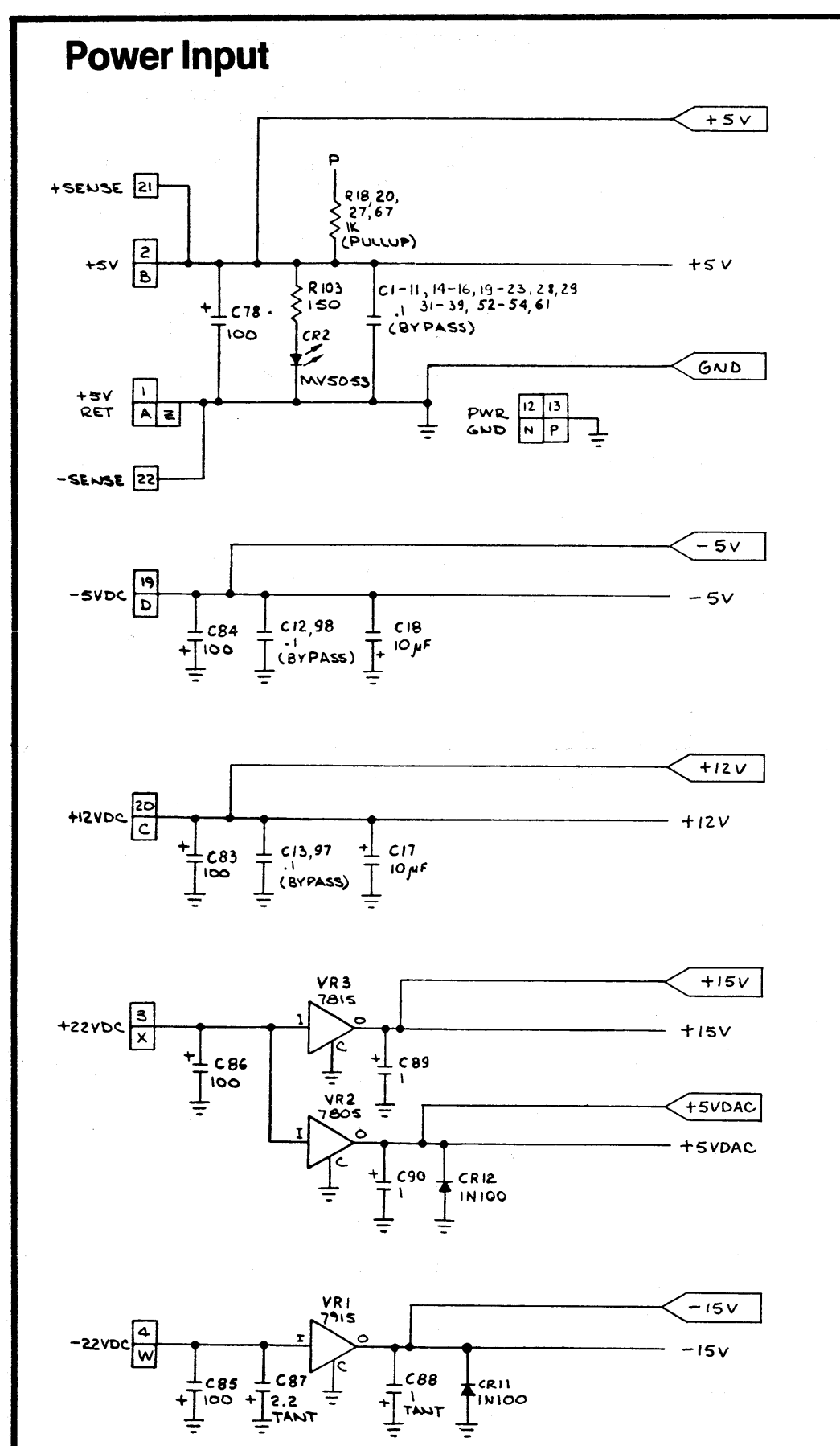
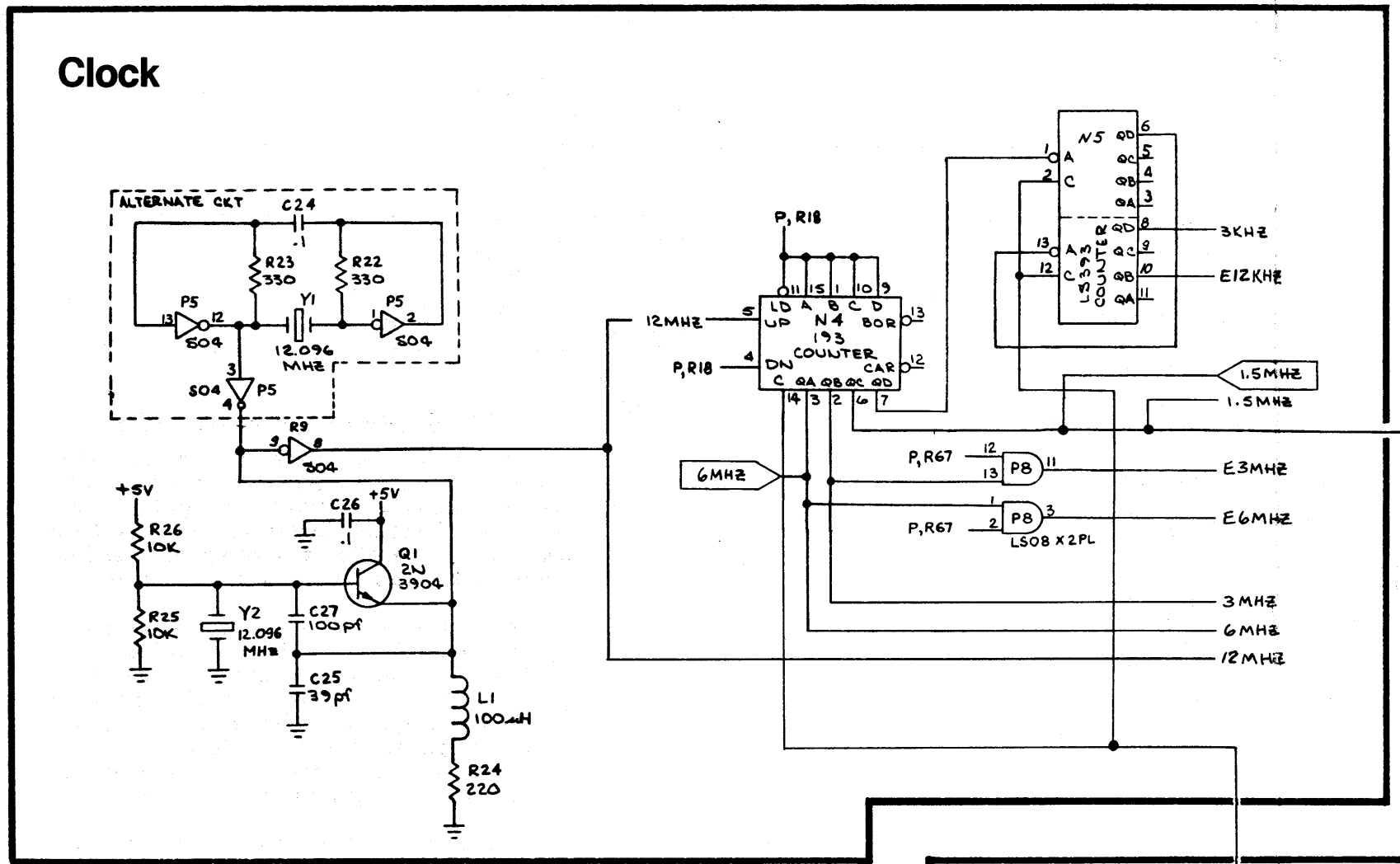
If you find an incorrect signature, find the signature test point of the Math Box Circuitry on Sheet 3, Side B. Locate the IC from which the signature is being output. Check all inputs of that IC.

If all input signatures are correct: Remove the Auxiliary PCB from the circuit. Check the circuit traces common to the failing IC pin on both the top and bottom of the PCB for shorts to another circuit trace. If the circuit traces are not shorted, then replace the failing IC.

If an input signature is incorrect: Locate on the schematic the IC source of the failing signature. Check the input signatures of that IC. If all input signatures are correct, then that is the failing IC. If this IC has a failing input signature, then continue "upstream" in the circuit flow until the failing IC is isolated.



**Auxiliary PCB
Signature Analysis Procedure
Section of 035678-01 B**

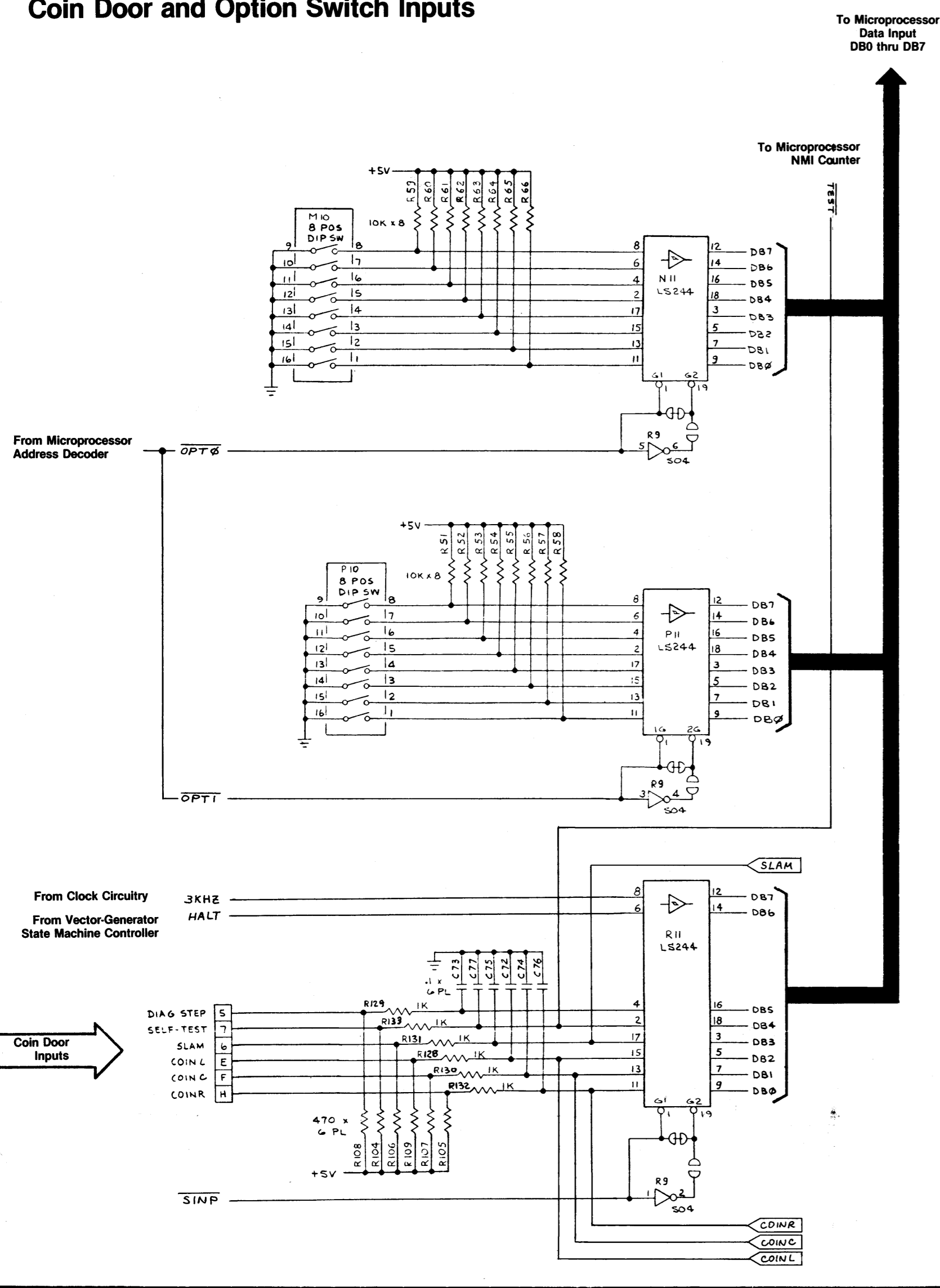


MEMORY MAP										
HEXADEDECIMAL	ADDRESS	D7	D6	D5	D4	D3	D2	D1	D0	FUNCTION
0000-03FF	0 0 0 0 1 0 0 0	A	A	A	A	A	A	A	A	PROGRAM RAM (1K)
0800	0 0 0 1 0 0 0 0	A	A	A	A	A	A	A	A	RIGHT COIN SWITCH
	0 0 0 1 0 0 0 1	A	A	A	A	A	A	A	A	CENTER COIN SWITCH
	0 0 0 1 0 0 1 0	A	A	A	A	A	A	A	A	LEFT COIN SWITCH
	0 0 0 1 0 0 1 1	A	A	A	A	A	A	A	A	SLAM SWITCH
0A00	0 0 0 1 0 0 1 1	A	A	A	A	A	A	A	A	SELF TEST SWITCH
	0 0 0 1 0 0 1 0	A	A	A	A	A	A	A	A	DIAG STEP SWITCH
	0 0 0 1 0 0 1 1	A	A	A	A	A	A	A	A	HALT
	0 0 0 1 0 0 1 0	A	A	A	A	A	A	A	A	3 KHZ OPTION SWITCH INPUTS
0C00	0 0 0 1 0 0 1 0	A	A	A	A	A	A	A	A	OPTION SWITCH INPUTS
1000	0 0 0 1 0 0 1 0	A	A	A	A	A	A	A	A	COIN COUNTER RIGHT
	0 0 0 1 0 0 1 0	A	A	A	A	A	A	A	A	LEFT COIN COUNTER
	0 0 0 1 0 0 1 0	A	A	A	A	A	A	A	A	COIN COUNTER LEFT
	0 0 0 1 0 0 1 0	A	A	A	A	A	A	A	A	VIDEO INVERT X
1200	0 0 0 1 0 0 1 0	A	A	A	A	A	A	A	A	VIDEO INVERT Y
1400	0 0 0 1 0 0 1 0	A	A	A	A	A	A	A	A	VECTOR GENERATOR GO
1600	0 0 0 1 0 0 1 0	A	A	A	A	A	A	A	A	WATCHDOG CLEAR
1800-187F	0 0 1 1 1 0 0 0	A	A	A	A	A	A	A	A	VECTOR GENERATOR RESET
	0 0 1 1 1 0 0 0	A	A	A	A	A	A	A	A	AUXILIARY PCB ENABLE
2000-27FF	0 1 0 0 0 0 0 0	A	A	A	A	A	A	A	A	VECTOR RAM (2K)
2800-2FFF	0 1 0 0 0 0 0 0	A	A	A	A	A	A	A	A	VECTOR RAM/VECTOR ROM (2K)
3000-3FFF	0 1 1 0 0 0 0 0	A	A	A	A	A	A	A	A	VECTOR ROM (4K)
5000-5FFF	1 0 0 0 0 0 0 0	A	A	A	A	A	A	A	A	PROGRAM ROM (4K)
6000-7FFF	1 1 0 0 0 0 0 0	A	A	A	A	A	A	A	A	PROGRAM ROM (8K)

NOTE
 □ Indicates Edge Connector
 ○ Indicates Interconnect Connector
 ▭ Indicates Test Point

Sheet 2, Side A
BATTLEZONE™
 Game Microprocessor
 Game Address Decoding Circuitry
 Analog Vector-Generator PCB Power Input
 Clock
 NMI Counter
 Power Reset and Watchdog Counter
 Game Program Memory
 Game RAM
 Game Memory Map
 Section of 035742-01 & -02 B

Coin Door and Option Switch Inputs



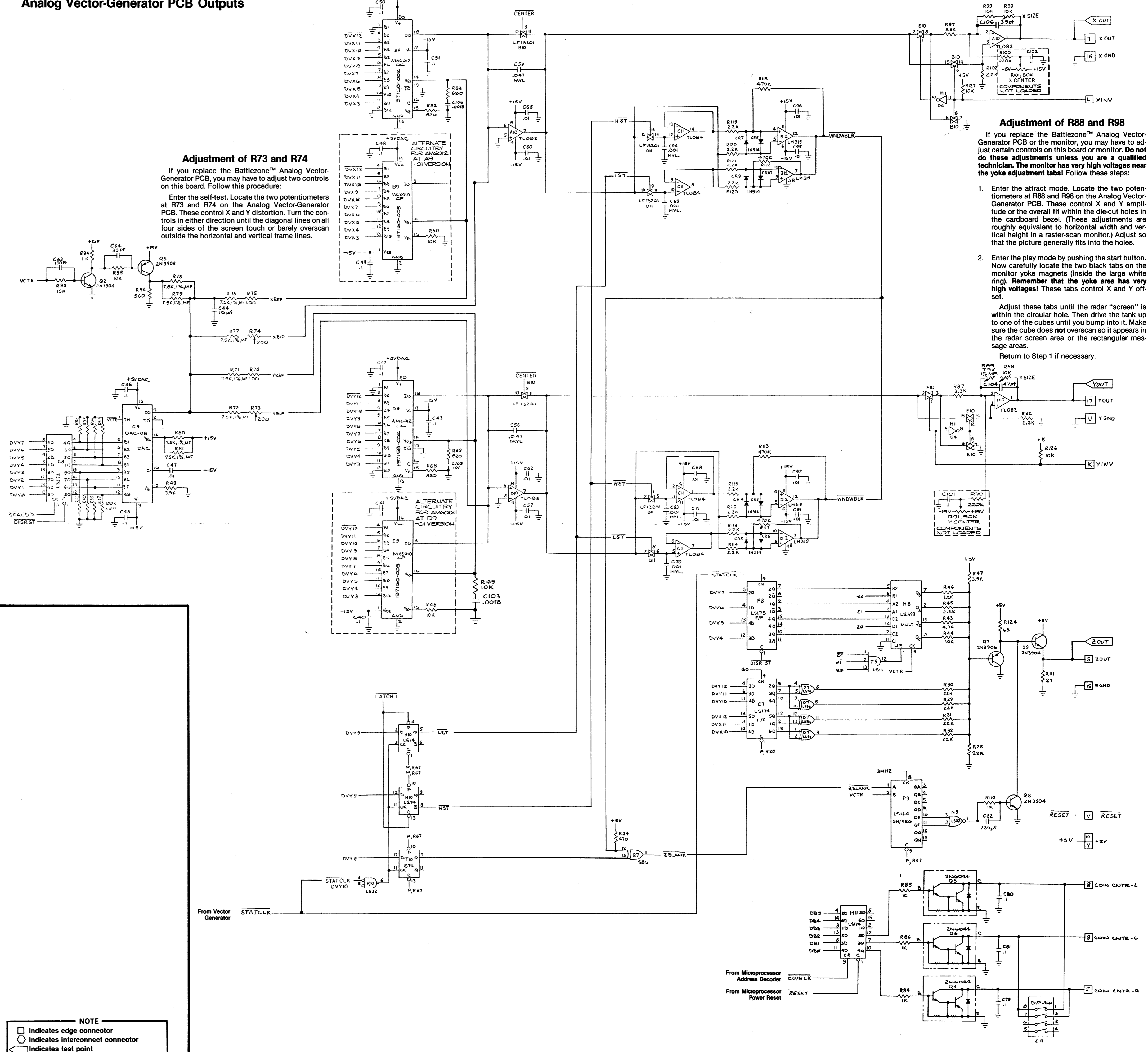
To Microprocessor
Data Input
DB0 thru DB7

To Microprocessor
NMI Counter

SLAM

CDINR
CDINL
CDINL

Analog Vector-Generator PCB Outputs



Adjustment of R73 and R74

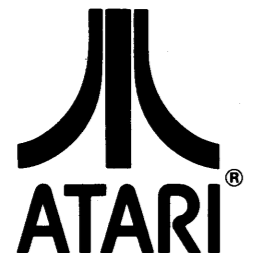
If you replace the Battlezone™ Analog Vector-Generator PCB, you may have to adjust two controls on this board. Follow this procedure:
Enter the self-test. Locate the two potentiometers at R73 and R74 on the Analog Vector-Generator PCB. These control X and Y distortion. Turn the controls in either direction until the diagonal lines on all four sides of the screen touch or barely overcan outside the horizontal and vertical frame lines.

Adjustment of R88 and R98

If you replace the Battlezone™ Analog Vector-Generator PCB or the monitor, you may have to adjust certain controls on this board or monitor. Do not do these adjustments unless you are a qualified technician. The monitor has very high voltages near the yoke adjustment tabs! Follow these steps:

1. Enter the attract mode. Locate the two potentiometers at R88 and R98 on the Analog Vector-Generator PCB. These control X and Y amplitude or the overall fit within the die-cut holes in the cardboard bezel. (These adjustments are roughly equivalent to horizontal width and vertical height in a raster-scan monitor.) Adjust so that the picture generally fits into the holes.
2. Enter the play mode by pushing the start button. Now carefully locate the two black tabs on the monitor yoke magnets (inside the large white ring). Remember that the yoke area has very high voltages! These tabs control X and Y off-set.

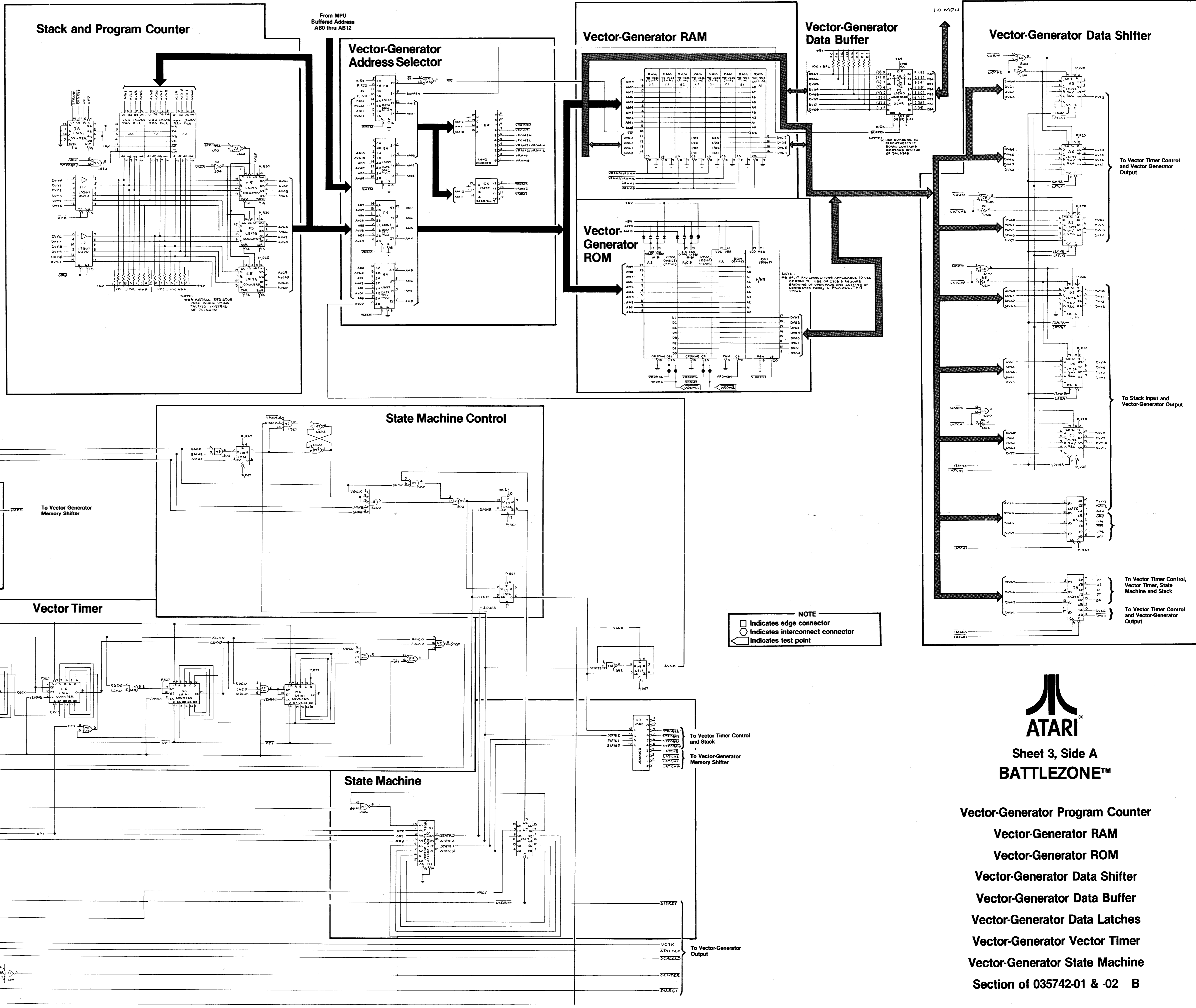
Adjust these tabs until the radar "screen" is within the circular hole. Then drive the tank up to one of the cubes until you bump into it. Make sure the cube does not overcan so it appears in the radar screen area or the rectangular message areas.
Return to Step 1 if necessary.



Sheet 2, Side B
BATTLEZONE™

- Analog Vector-Generator PCB
- Switch Inputs
- Analog Vector-Generator PCB
- Video Output
- Analog Vector-Generator PCB
- Coin Counter Output
- Section of 035742-01 & -02 B

NOTE
□ Indicates edge connector
○ Indicates interconnect connector
◊ Indicates test point



NOTE
 □ Indicates edge connector
 ○ Indicates interconnect connector
 ● Indicates test point

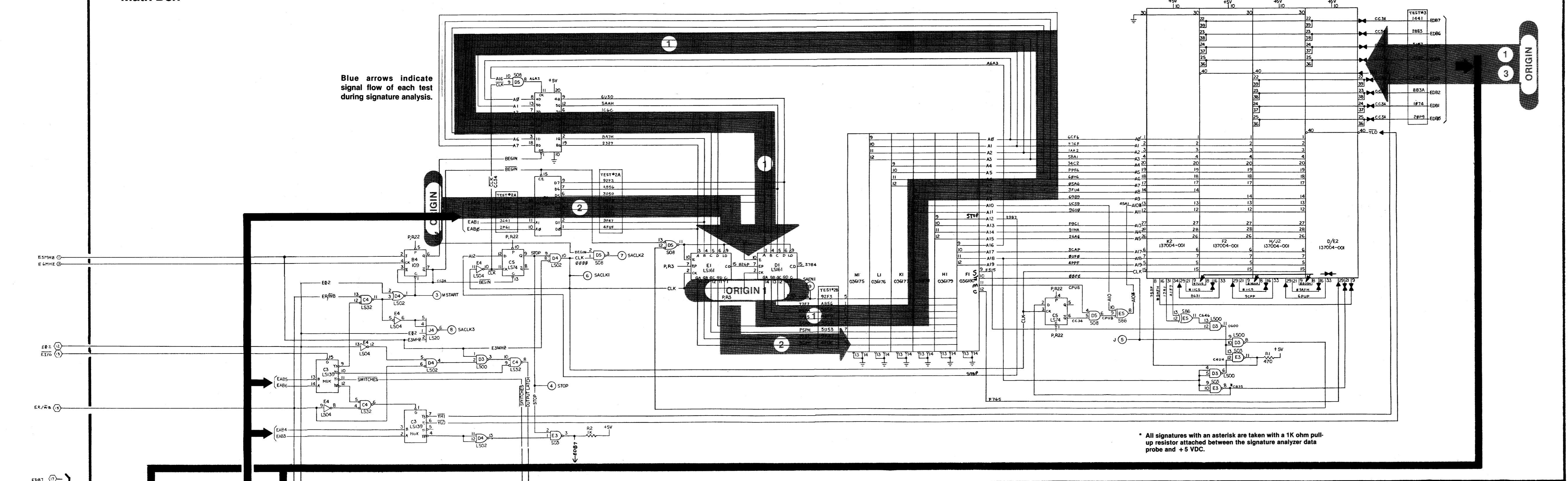


Sheet 3, Side A
BATTLEZONE™

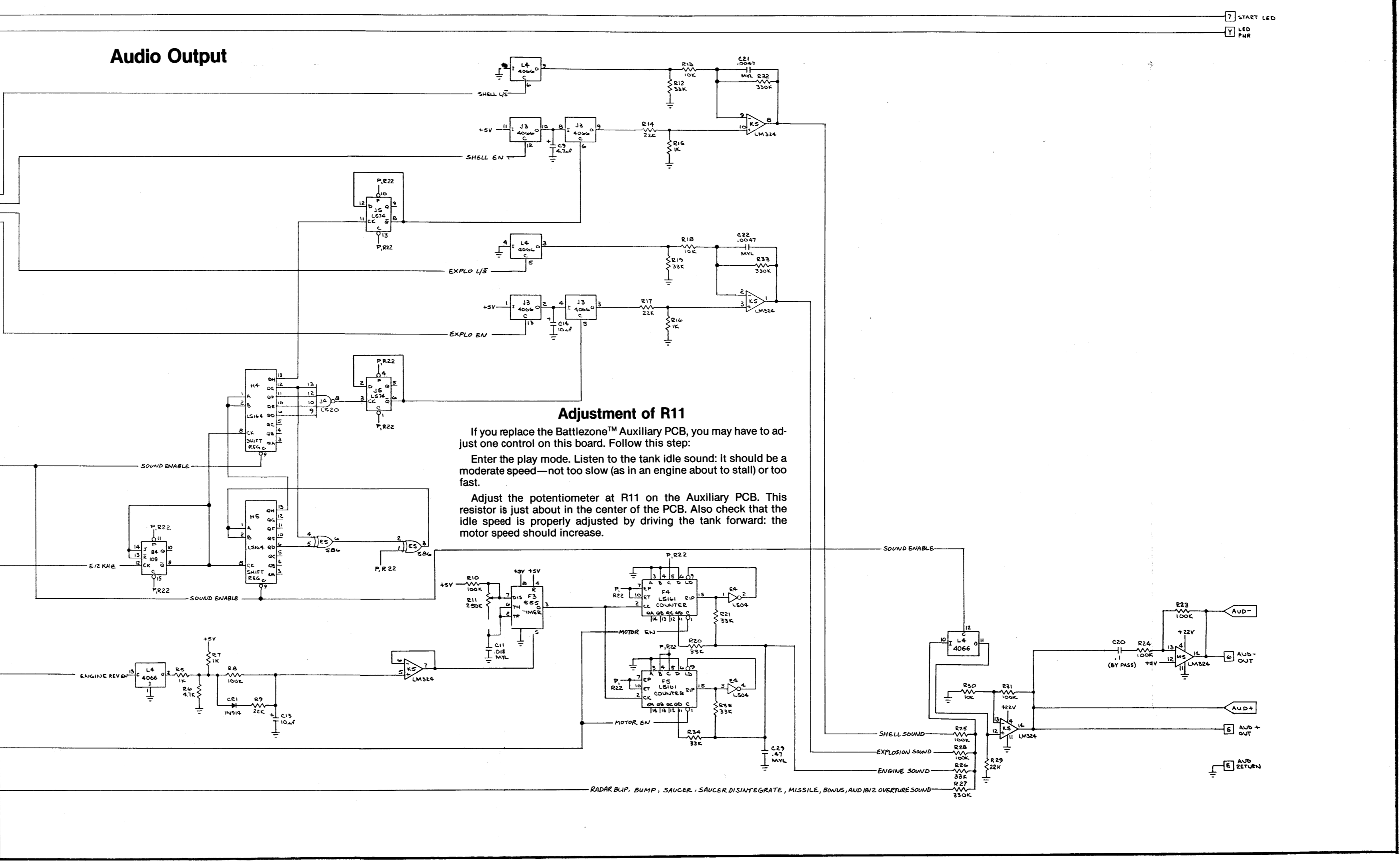
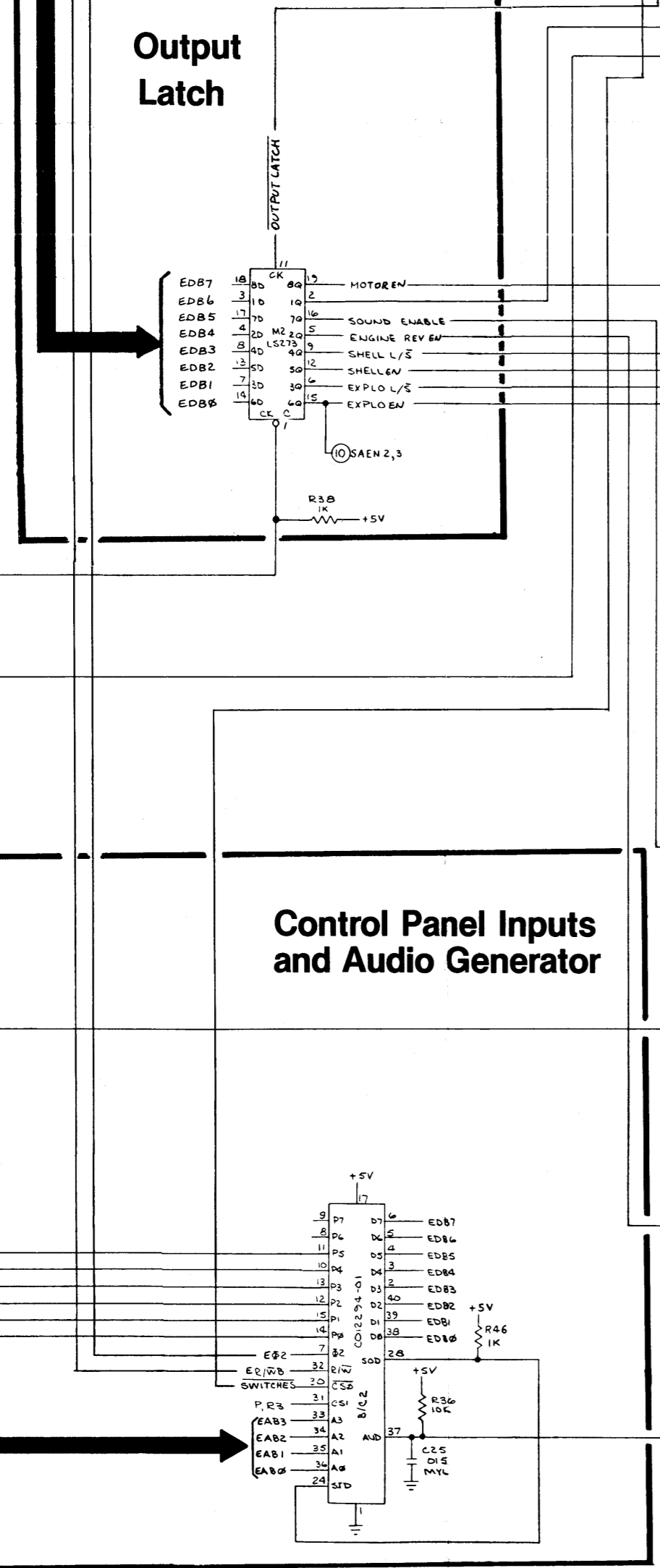
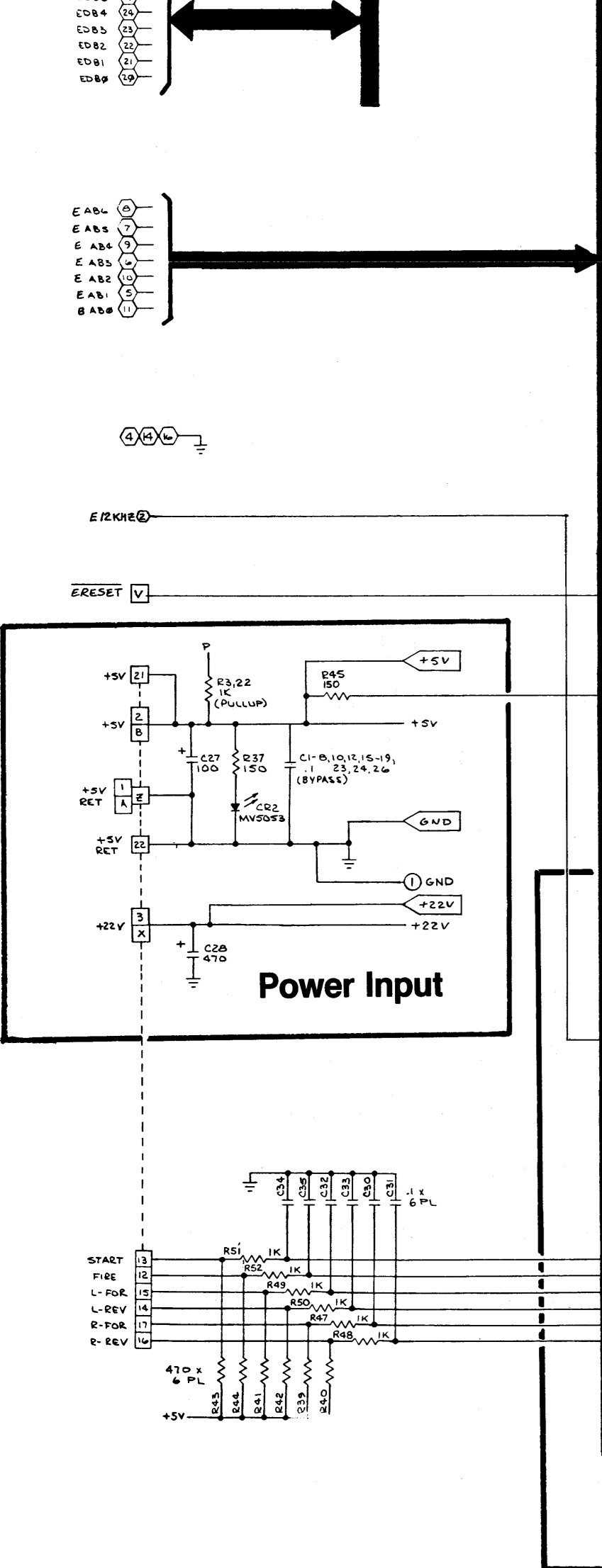
- Vector-Generator Program Counter
- Vector-Generator RAM
- Vector-Generator ROM
- Vector-Generator Data Shifter
- Vector-Generator Data Buffer
- Vector-Generator Data Latches
- Vector-Generator Vector Timer
- Vector-Generator State Machine
- Section of 035742-01 & -02 B

Math Box

Blue arrows indicate signal flow of each test during signature analysis.



* All signatures with an asterisk are taken with a 1K ohm pull-up resistor attached between the signature analyzer data probe and +5 VDC.



NOTE
 □ Indicates edge connector
 ○ Indicates interconnect connector
 ◊ Indicates test point
 Four-digit alphanumeric numbers are signatures of Math Box test points. Unboxed signatures are taken during Test #1.



Sheet 3, Side B
BATTLEZONE™

Auxiliary PCB
 Audio Output
 Control Panel Inputs
 Math Box
 Section of 035678-01 B