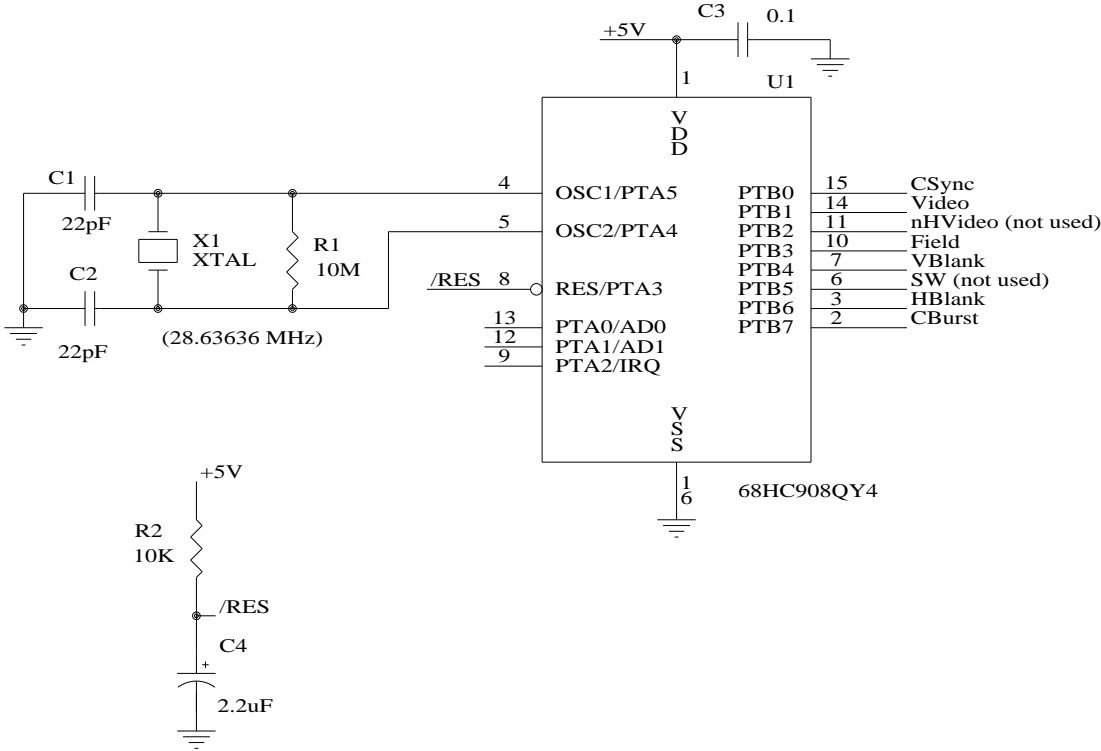


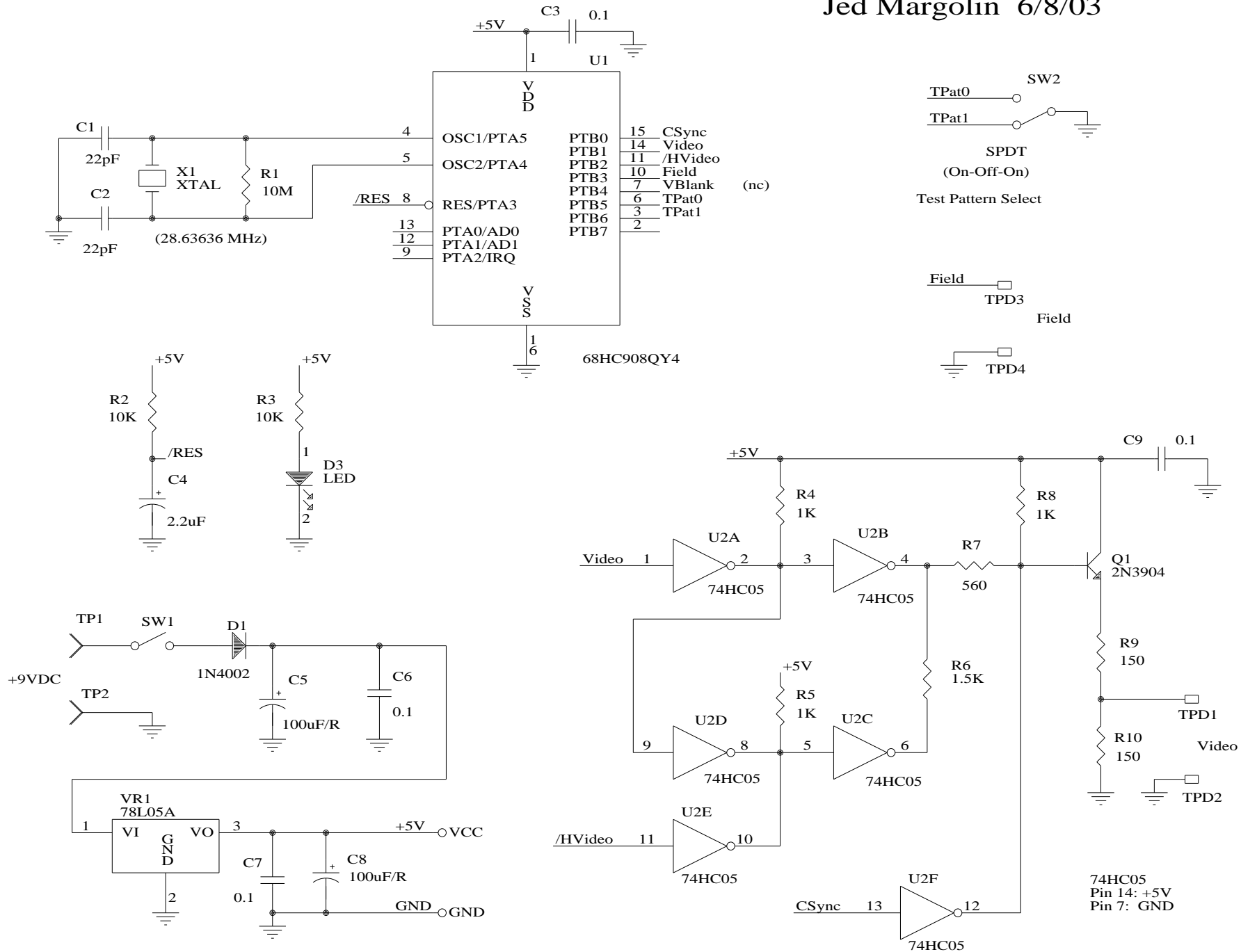
# NTSC Sync Generator

Jed Margolin 6/8/03



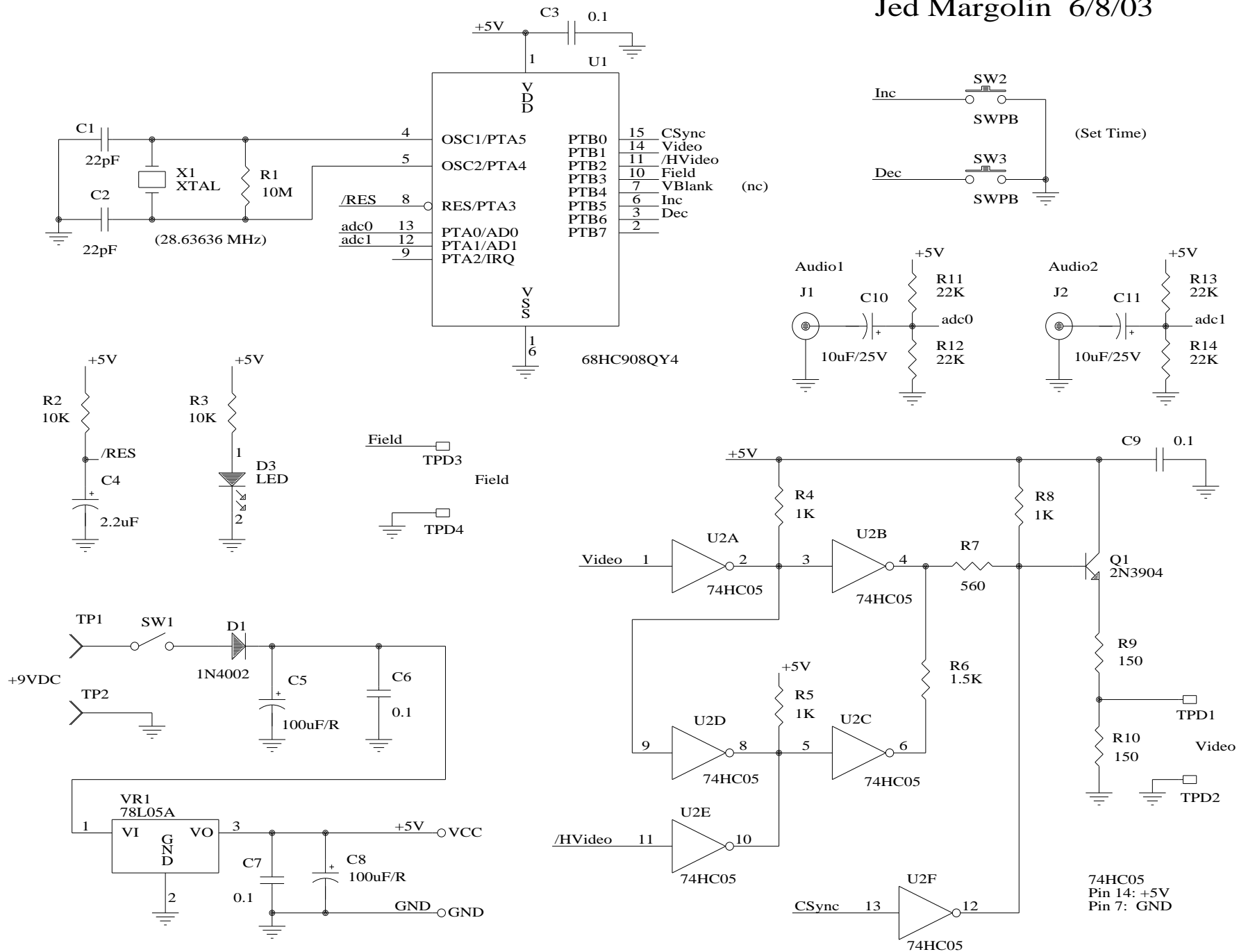
# NTSC Monitor Test Pattern Generator

Jed Margolin 6/8/03



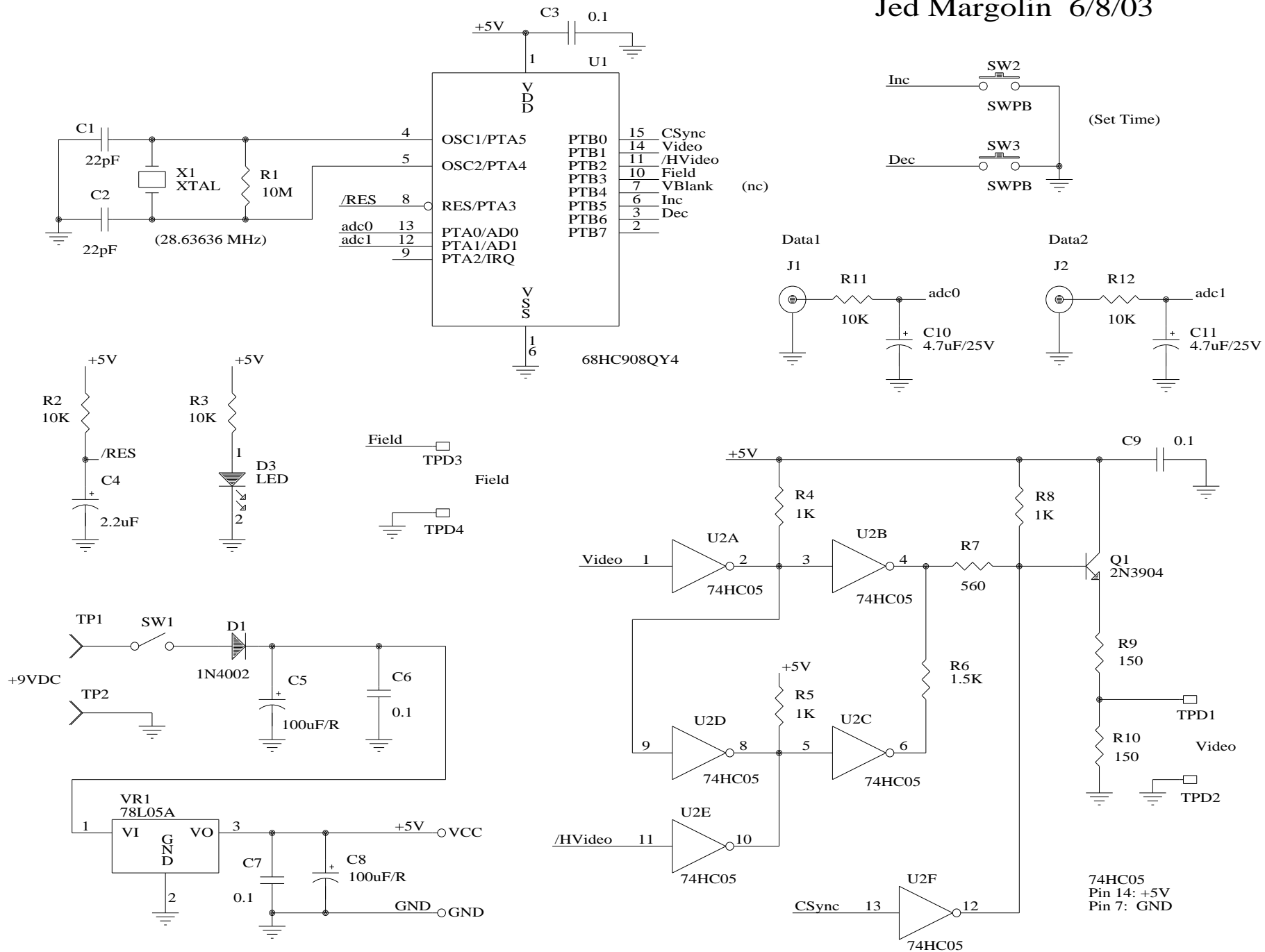
# NTSC Video (with Audio Inputs)

Jed Margolin 6/8/03



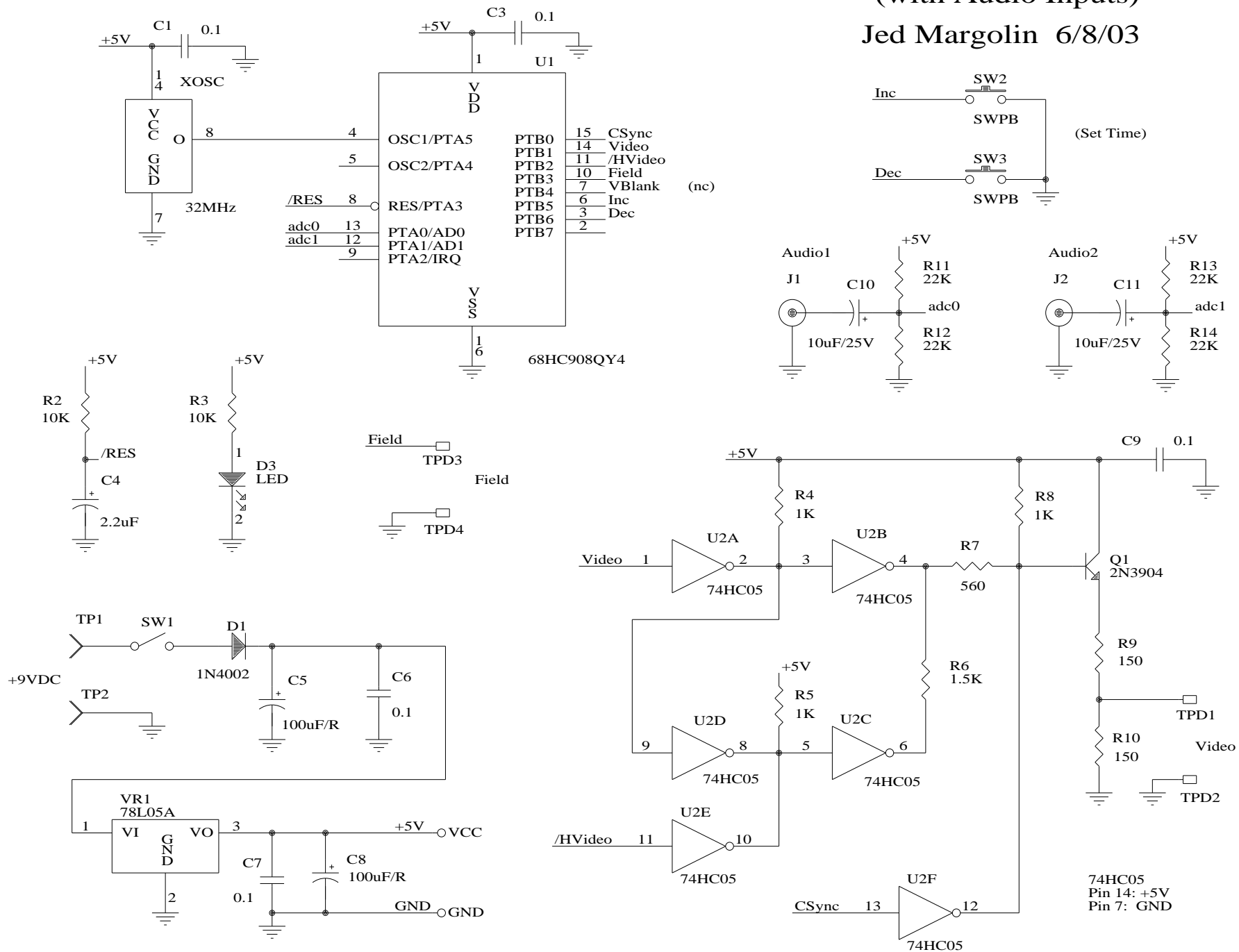
# NTSC Video (with Data Inputs)

Jed Margolin 6/8/03



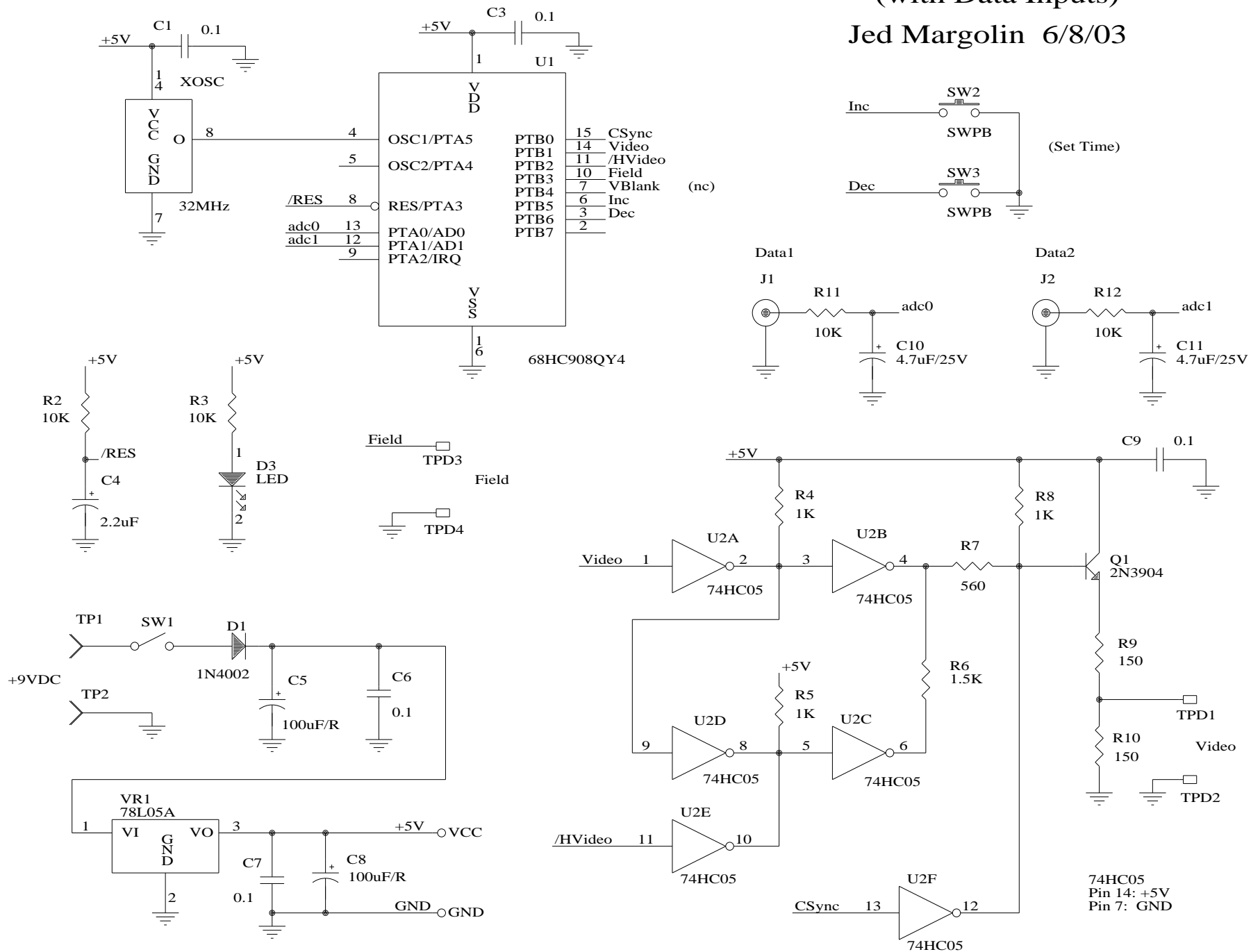
# Closed Captioned Video (with Audio Inputs)

Jed Margolin 6/8/03



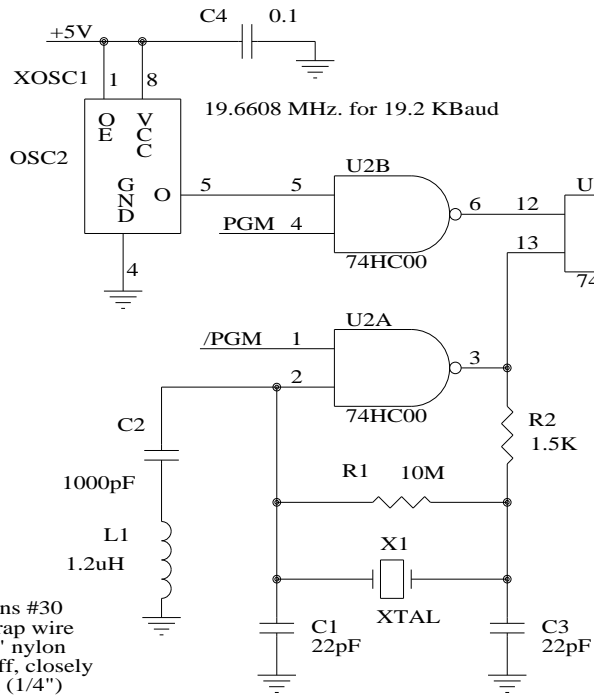
# Closed Captioned Video (with Data Inputs)

Jed Margolin 6/8/03



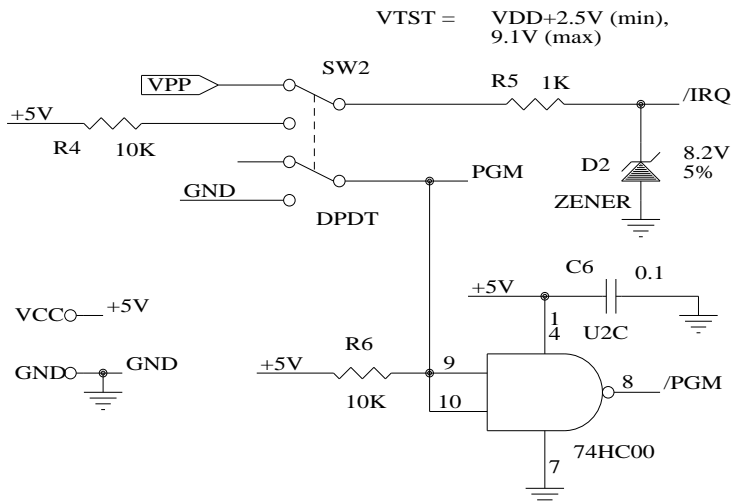
# Programmer For MC68HC908QY4 1 of 2

Jed Margolin 6/8/03

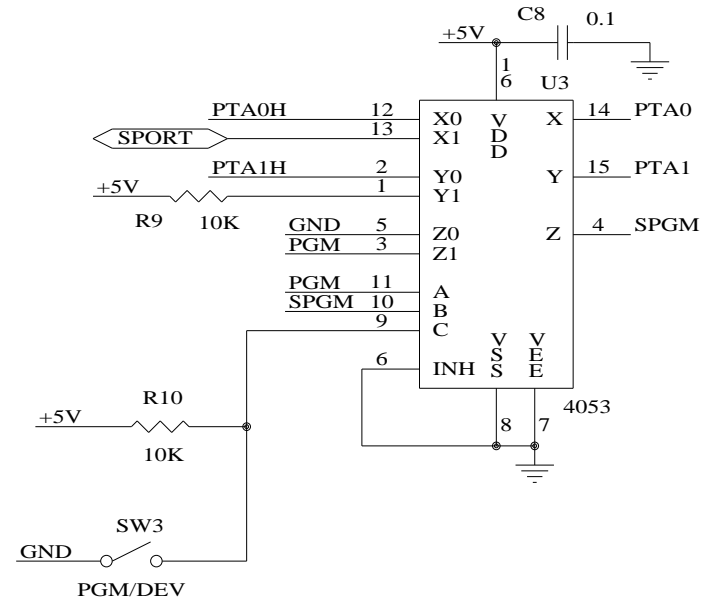
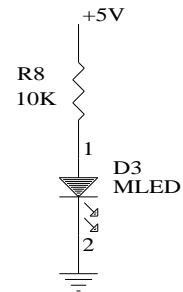
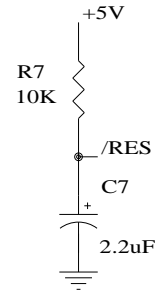
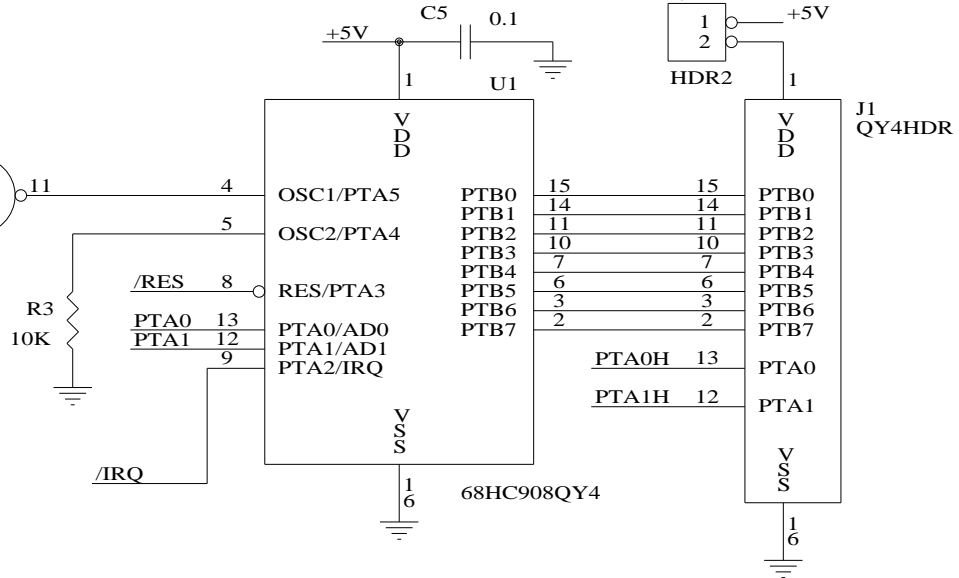


12 Turns #30 wirewrap wire on 1/4" nylon standoff, closely wound (1/4")

28.63636 MHz or 32 MHz Fundamental or Third Overtone

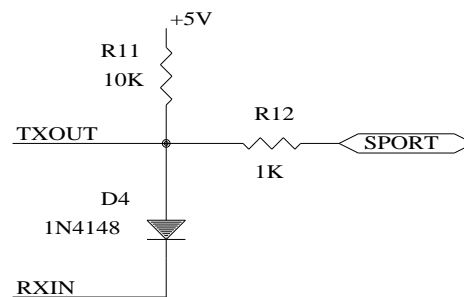
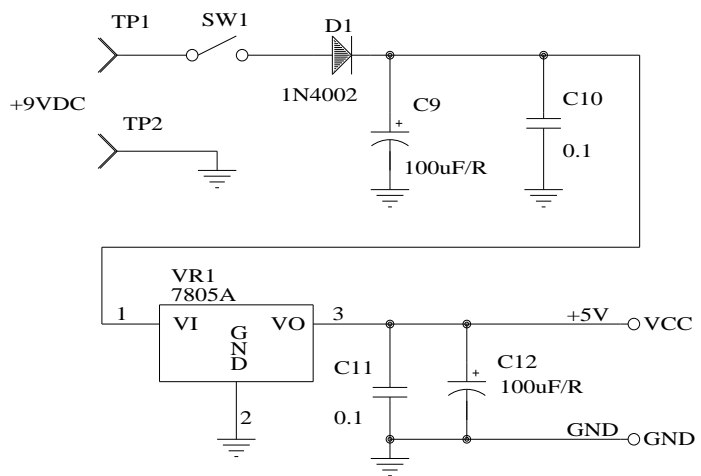
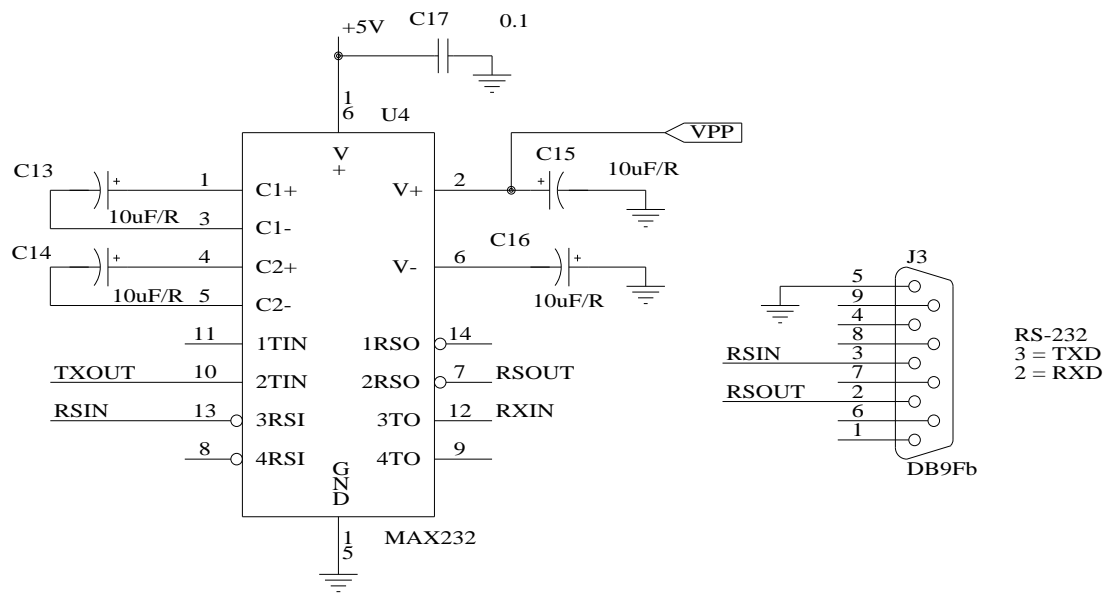


VTST = VDD+2.5V (min), 9.1V (max)



Programmer For MC68HC908QY4 2 of 2

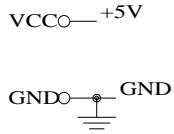
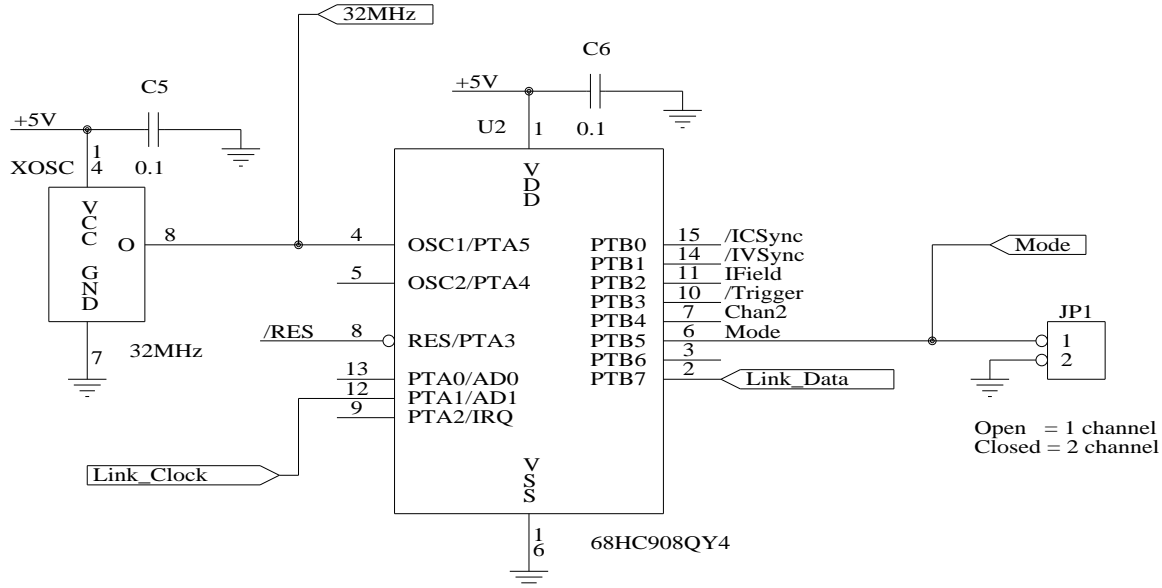
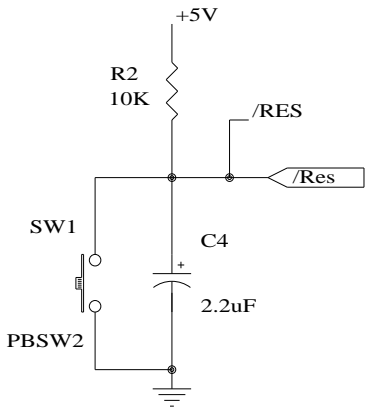
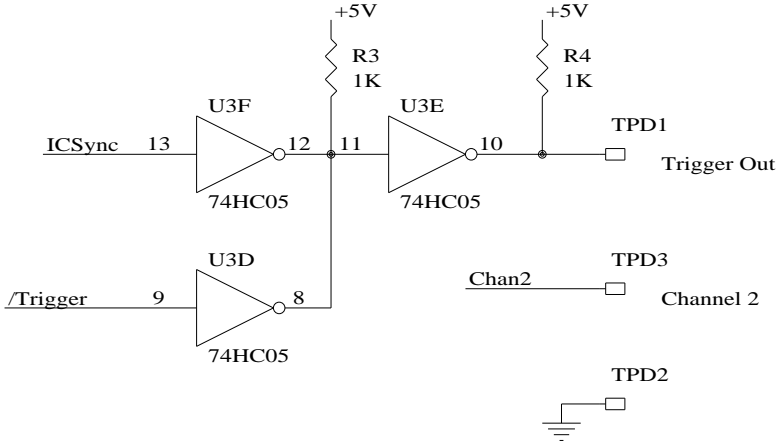
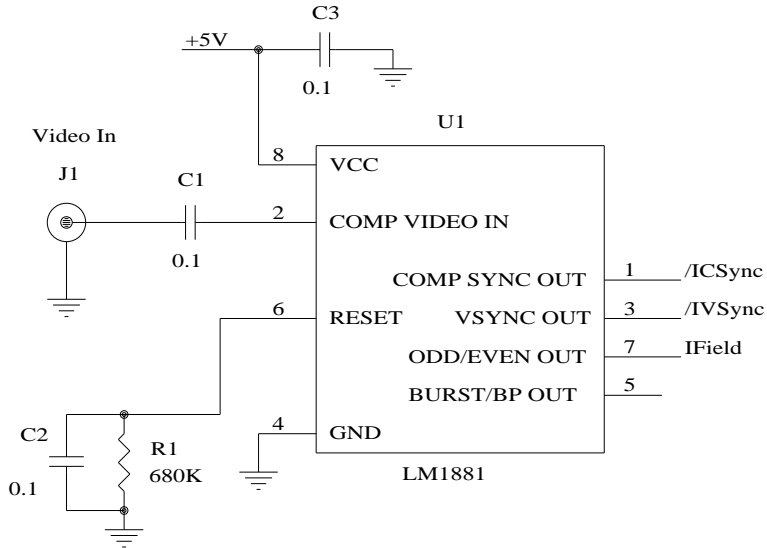
Jed Margolin 6/8/03





# Video Line Trigger 1 of 2

Jed Margolin 6/8/03



# Video Line Trigger 2 of 2

## Jed Margolin 6/8/03

