



US00D421070S

United States Patent [19]

[11] Patent Number: **Des. 421,070**

Jang et al.

[45] Date of Patent: **** Feb. 22, 2000**

[54] **ELECTRONIC VIDEO GAME CONSOLE**

D. 392,688	3/1998	Isetani et al.	D21/326
D. 403,024	12/1998	Muraki et al.	D21/326
4,960,117	10/1990	Moncrief et al.	273/148 B
5,299,810	4/1994	Pierce et al.	463/30
5,713,794	2/1998	Shimajima et al.	463/31
5,795,224	8/1998	Yoshida	463/2

[75] Inventors: **Michael Jang; Mark Gruber; Ralph Perez**, all of San Jose, Calif.

[73] Assignee: **Atari Games Corporation**

[**] Term: **14 Years**

*Primary Examiner—Prabhakar Deshmukh
Attorney, Agent, or Firm—Rudnick & Wolfe*

[21] Appl. No.: **29/066,252**

[57] CLAIM

[22] Filed: **Feb. 5, 1997**

The ornamental design for an electronic video game console, as shown and described.

[51] **LOC (7) Cl.** **21-01**

[52] **U.S. Cl.** **D21/325**

[58] **Field of Search** D21/324-327,
D21/333; 273/148 B, 355, 356, 357; 463/1,
29-35, 46, 47, 51, 52

DESCRIPTION

FIG. 1 is a perspective view of an electronic video game console showing our new design; FIG. 2 is a side elevational view thereof, with the opposite side being a mirror image thereof; FIG. 3 is front elevational view thereof; FIG. 4 is a top plan view thereof; and, FIG. 5 is a rear elevational view thereof.

[56] References Cited

U.S. PATENT DOCUMENTS

D. 358,616	5/1995	Chung-Po	D21/325
D. 384,705	10/1997	Muraki et al.	D21/326

1 Claim, 3 Drawing Sheets

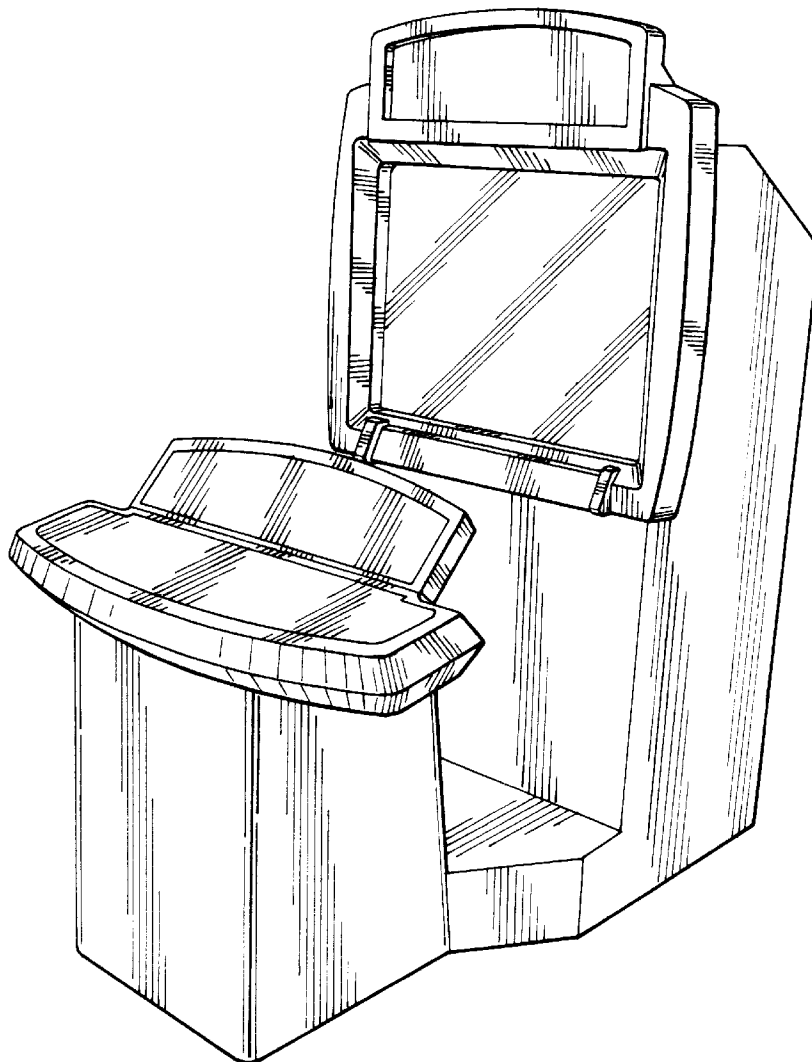
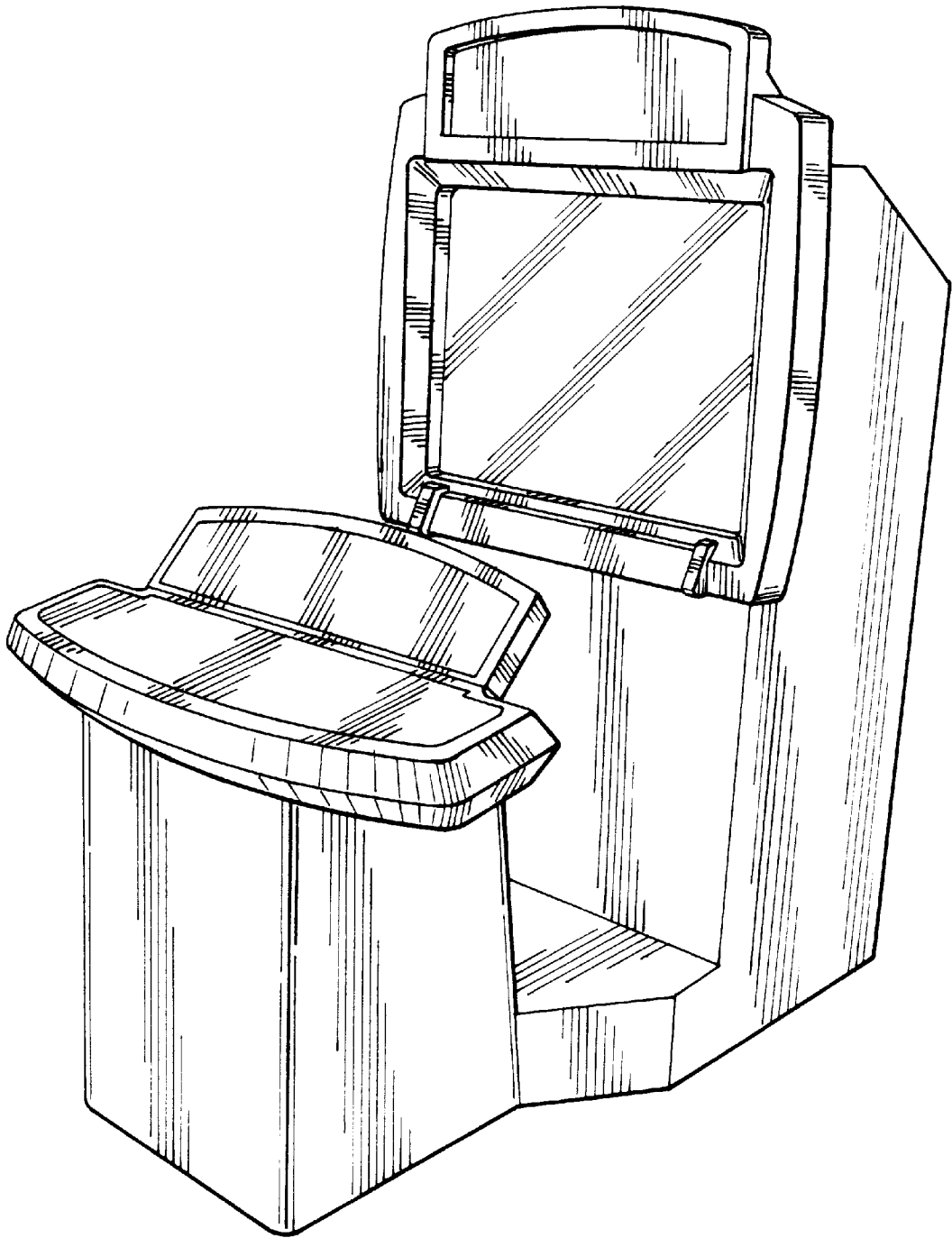


FIG. 1



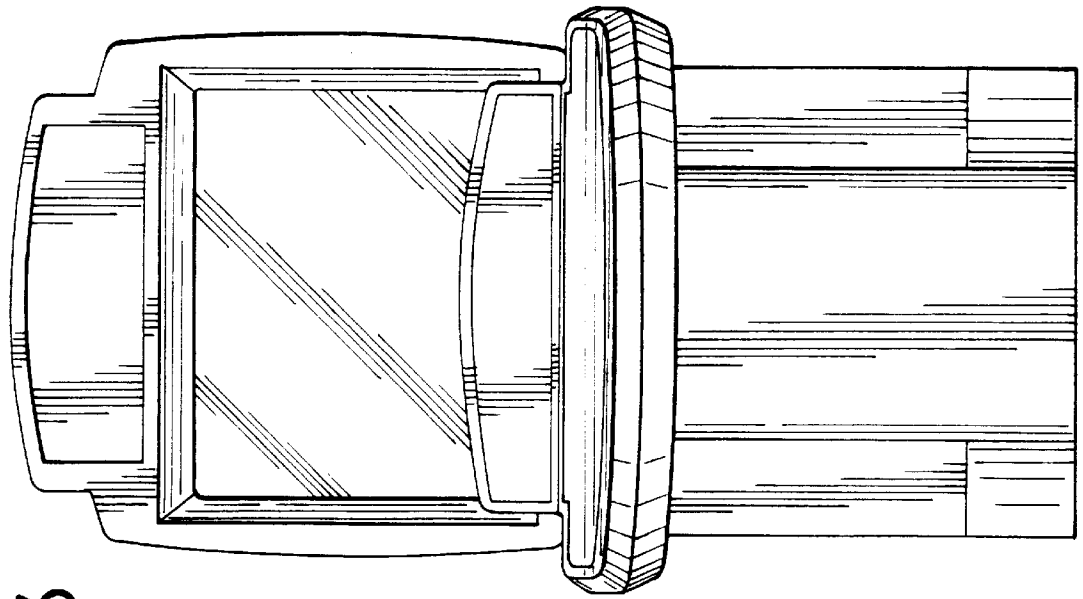


FIG.3

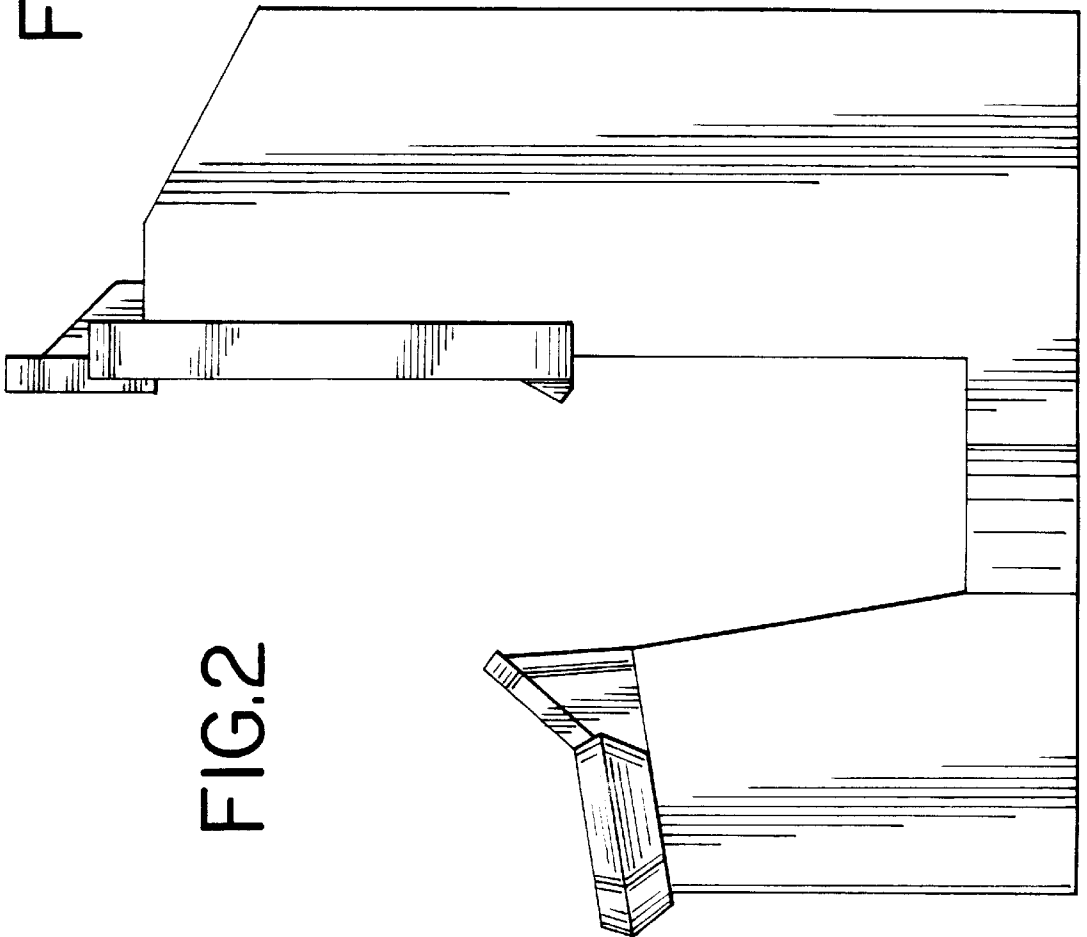


FIG.2

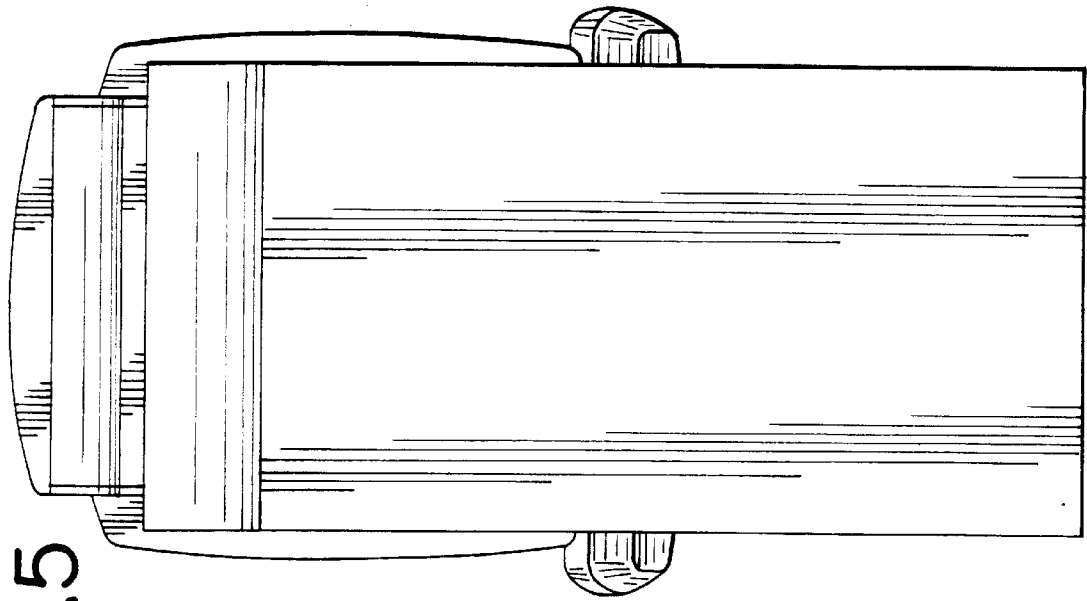


FIG.5

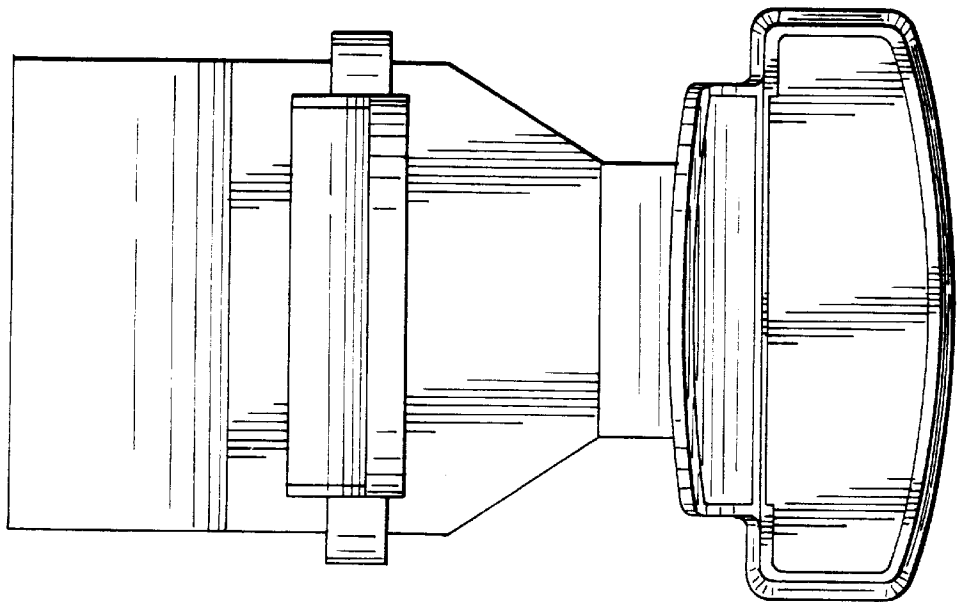


FIG.4