

[54] LOWER HOUSING FOR A CONTROL UNIT FOR A VIDEO GAME

[75] Inventor: Gerald J. Lichac, Santa Cruz, Calif.

[73] Assignee: Atari, Inc., Sunnyvale, Calif.

[\*\*] Term: 14 Years

[21] Appl. No.: 319,020

[22] Filed: Nov. 9, 1981

[51] Int. Cl. .... D21-01

[52] U.S. Cl. .... D21/48; D13/32

[58] Field of Search ..... D21/13, 48; D13/32, D13/107, 114; 74/471 R, 471 XY; 200/DIG. 29, 293; 340/709, 710

[56]

References Cited

U.S. PATENT DOCUMENTS

D. 136,295 8/1943 Robbins ..... D13/32  
4,215,771 8/1980 Huitema ..... 74/471 R

Primary Examiner—Melvin B. Feifer

Attorney, Agent, or Firm—Townsend and Townsend

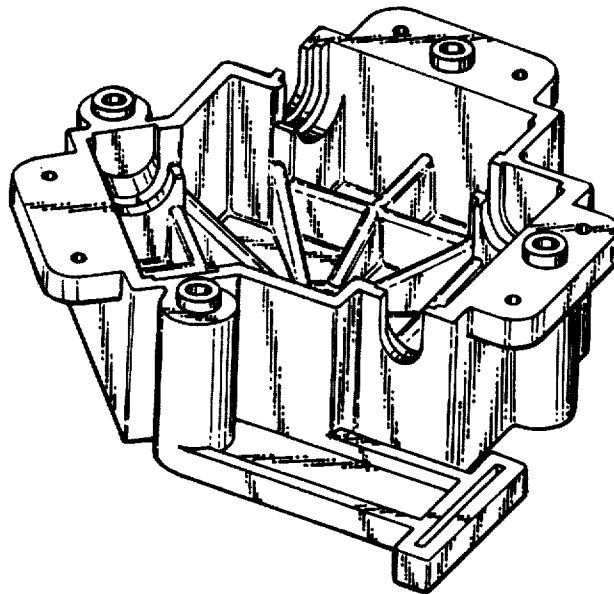
[57]

CLAIM

The ornamental design for a lower housing for a control unit for a video game, as shown and described.

DESCRIPTION

FIG. 1 is a perspective view of a lower housing for a control unit for a video game, showing my new design; FIG. 2 is a top plan view thereof; FIG. 3 is a front elevational view thereof; FIG. 4 is a right side elevational view thereof; FIG. 5 is a left side elevational view thereof; FIG. 6 is a rear side elevational view thereof; and FIG. 7 is a bottom plan view thereof.



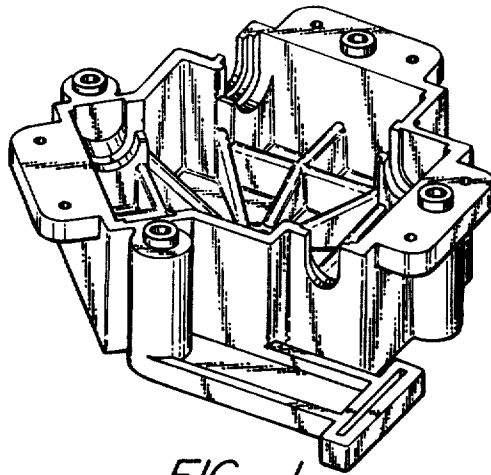


FIG. 1.

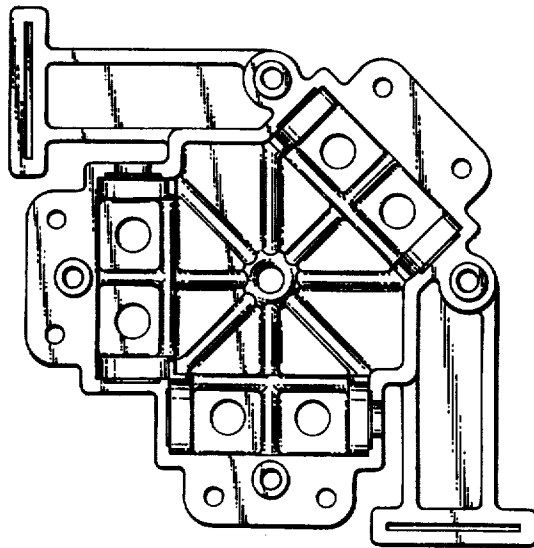


FIG. 2.

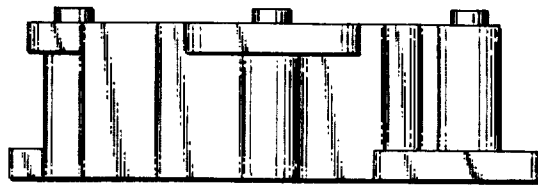


FIG. 3.

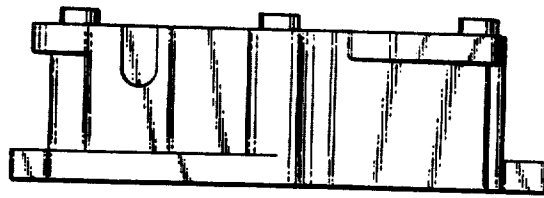


FIG. 4.

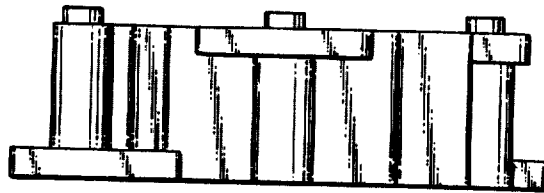


FIG. 5.

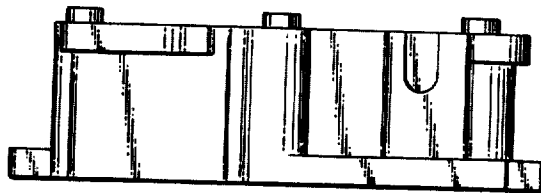


FIG. 6.

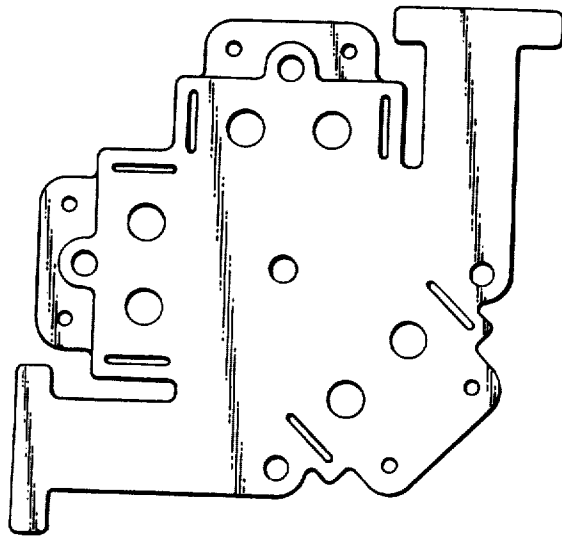


FIG. 7.