

[54] GAME TABLE

[75] Inventors: Peter L. Takaichi, San Jose; Andrew W. Graybeal, Mountain View, both of Calif.

[73] Assignee: Atari, Inc.

[**] Term: 14 Years

[21] Appl. No.: 836,203

[22] Filed: Sep. 23, 1977

[51] Int. Cl. D21-03

[52] U.S. Cl. D21/13

[58] Field of Search D34/5 J, 5 L, 5 R; 273/DIG. 28, 101.1, 101.2

[56]

References Cited

U.S. PATENT DOCUMENTS

D. 237,727 11/1975 Runte D34/5 J
D. 250,666 12/1978 Hector D34/5 J

Primary Examiner—Melvin B. Feifer
Attorney, Agent, or Firm—Stephen S. Townsend

[57]

CLAIM

The ornamental design for a game table, as shown and described.

DESCRIPTION

FIG. 1 is a perspective view of the game table showing our new design.

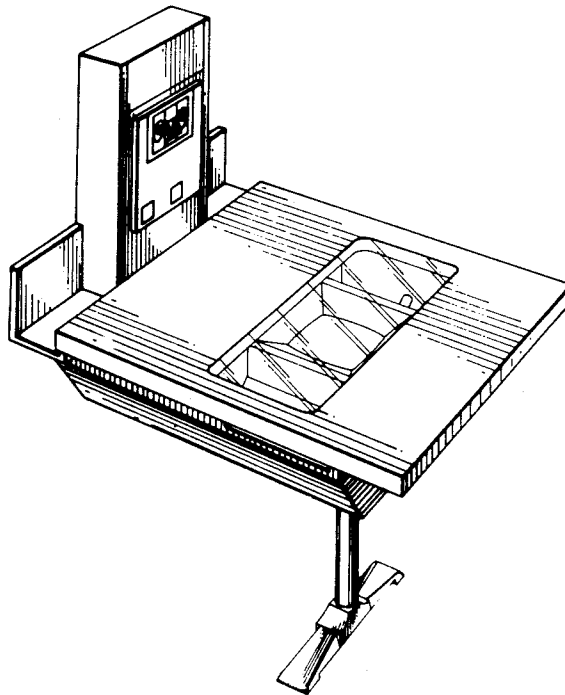
FIG. 2 is a side elevation view of the game table.

FIG. 3 is an end elevation view of the game table.

FIG. 4 is a top plan view of the game table.

FIG. 5 is a rear elevation view of the game table.

FIG. 6 is a bottom plan view of the game table.



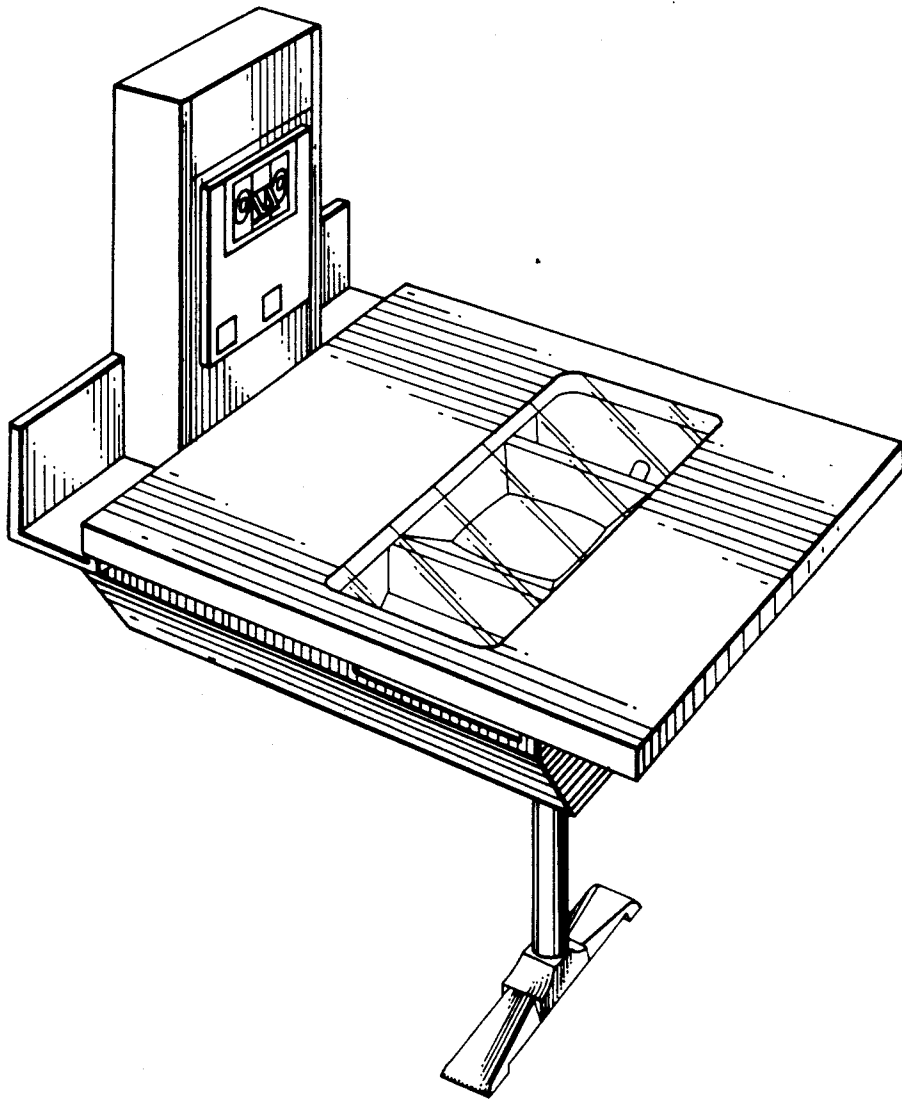


FIG. 1

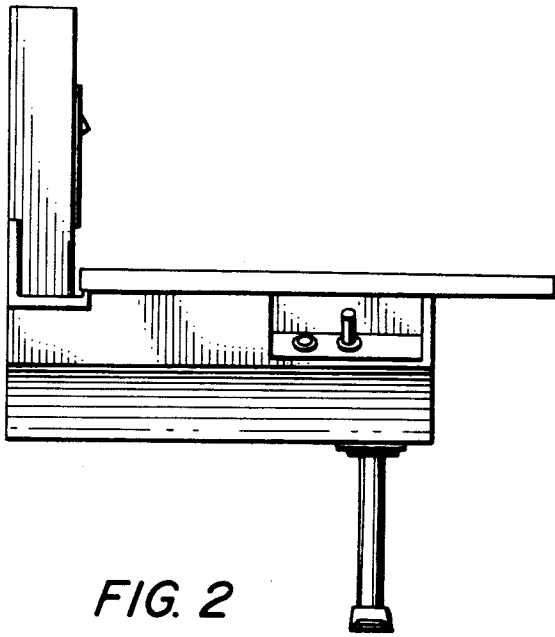


FIG. 2

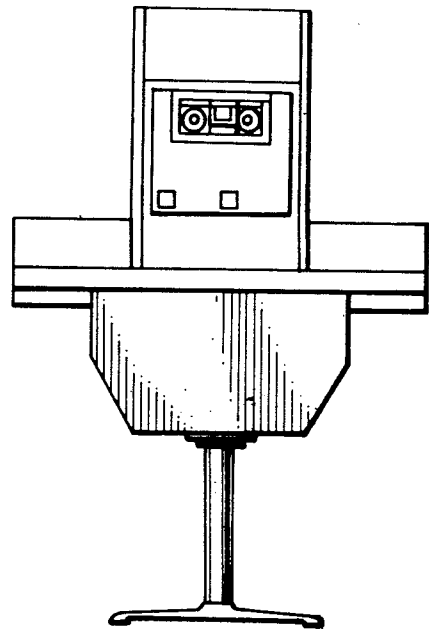


FIG. 3

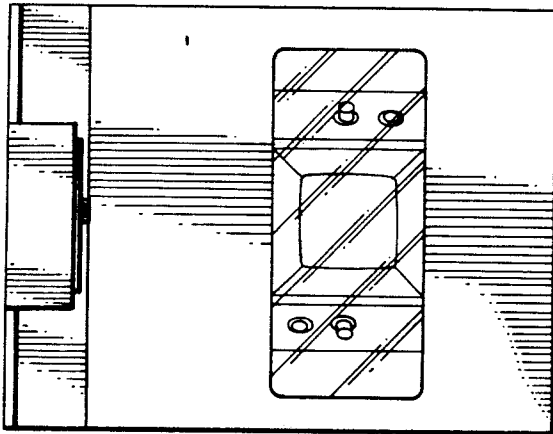


FIG. 4

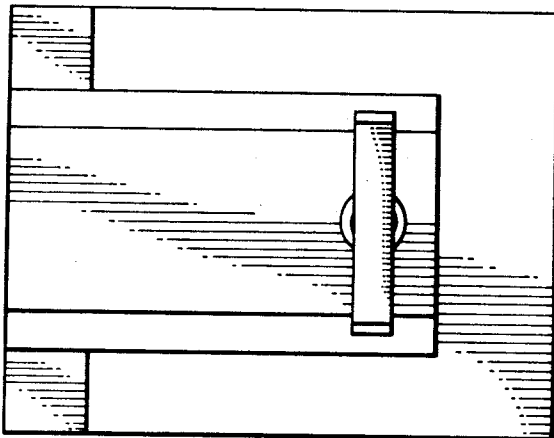


FIG. 5

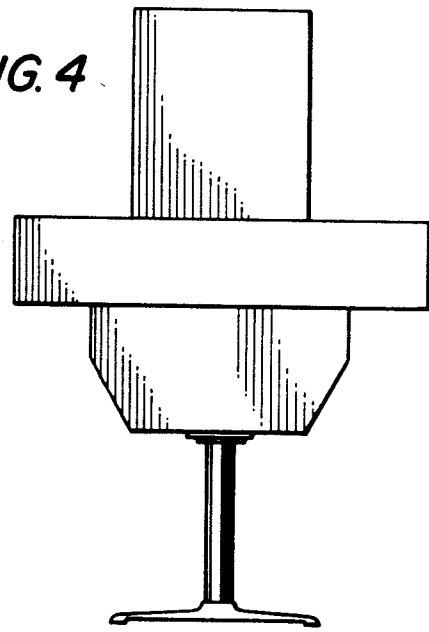


FIG. 6